

# JQC-25F

# SUBMINIATURE HIGH POWER RELAY



File No.:E133481



File No.:R50028468



### Features

- New product, small and for Microwave Oven
- 16A switching capability
- QC & PCB Terminal
- 10KV surge between coil and Contacts

### CONTACT DATA

Contact Arrangement	SPST-NO
Initial Contact Resistance	100mΩ, @ 1A, 6VDC
Contact Material	AgSnO2
Contact Rating	16A @ 30VDC 16A @ 250VAC
Max. switching voltage	DC: 30V AC: 250V
Max. switching current	16A
Max. switching power	4000VA, 480W
Mechanical life	1 x 10 <sup>7</sup> OPS
Electrical life	1 x 10 <sup>5</sup> OPS

### COIL

Coil power	0.5W
------------	------

### COIL DATA

Nominal Voltage VDC	Pick-up Voltage VDC	Drop-out Voltage VDC	Max. allowable Voltage VDC(at 20°C)	Coil Resistance Ω
5	3.50	0.25	6.50	50 ± 10%
6	4.20	0.30	7.80	72 ± 10%
9	6.30	0.45	11.7	162 ± 10%
12	8.40	0.60	15.6	288 ± 10%
18	12.6	0.90	23.4	648 ± 10%
24	16.8	1.20	31.2	1152 ± 10%

### CHARACTERISTICS

Initial Insulation Resistance	100M Ω ,500VDC
Dielectric Strength	Between coil and Contacts 5000Vrms, 1min
	Between open contacts 1000Vrms, 1min
Operate time (at nomi. Volt.)	15ms
Release time (at nomi. Volt.)	5ms
Temperature rise (at nomi. Volt.)	Max.50°C
Humidity	35 to 85%RH
Shock Resistance	Functional 100m/s <sup>2</sup> (10g)
	Destructive 1,000m/s <sup>2</sup> (100g)
Ambient temperature	-40°C to 85°C
Vibration Resistance	1.5mm,10 to 55Hz
Termination	PCB & QC
Unit weight	Approx. 16.5g
Construction	Sealed&Unsealed

### SAFETY APPROVAL RATINGS

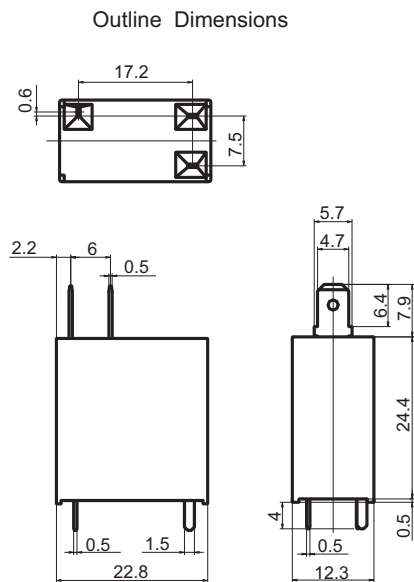
UL	16A 250VAC
	16A 30VDC
TUV	16A 250VAC cos phi =1
	16A 30VDC



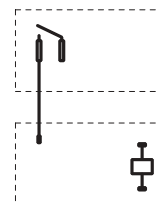
## ORDERING INFORMATION

Type	JQC-25 F /	012	H	S	F	XXX
Coil voltage	5 to 24 VDC					
Contact arrangement	H: SPST-NO					
Structure	S : Sealed    Nil : Unsealed					
Insulation Standard:	Nil: ClassB    F: ClassF					
Customer special request code						

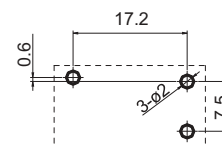
## OUTLINE DIMENSIONS, WIRING DIAGRAM AND PC BOARD LAYOUT



Wiring Diagram



PC Board Layout



## CHARACTERISTICS CURVE

