

SPECIFICATION FORM**FEATURES**

- ◇ 22.40MM×33.00MM OUTLINE
- ◇ 1.0 INCHES (26.00MM) DIGIT HEIGHT
- ◇ SINGLE DIGIT
- ◇ SINGLE COLOR
- ◇ HIGH BRIGHTNESS
- ◇ EASY ASSEMBLY
- ◇ SOLID STATE RELIABILITY

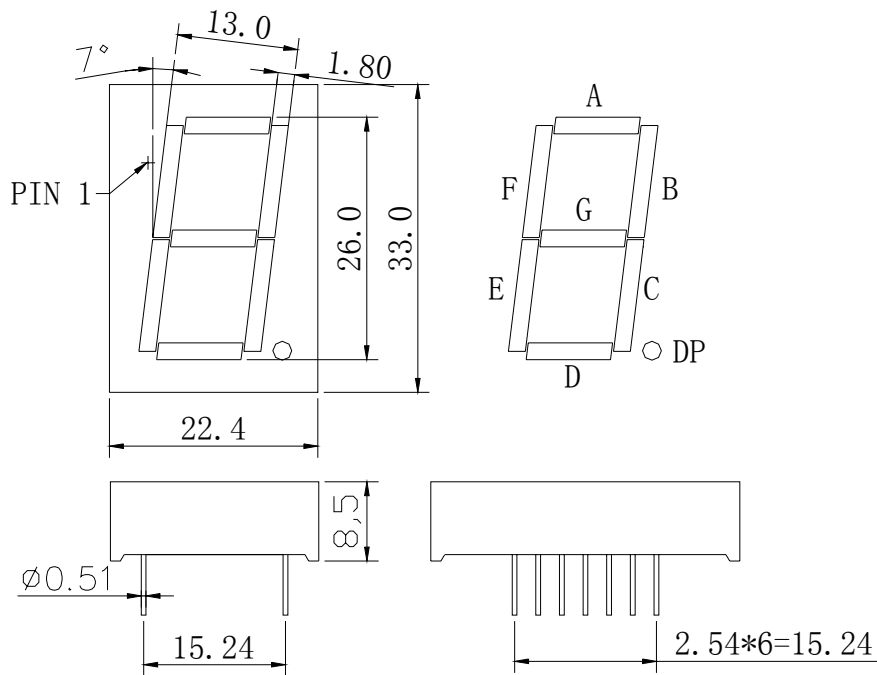
DESCRIPTION

The REC-S10101AG is a 1.0 inches (26.0mm) digit height, 22.4mm×33.00mm outline, single color, single digit, common anode numeric display. This display utilizes yellow-green LED chips fabricated from GaP epiwafer on GaP substrate grown by liquid phase epitaxy. The devices have black face and white segments.

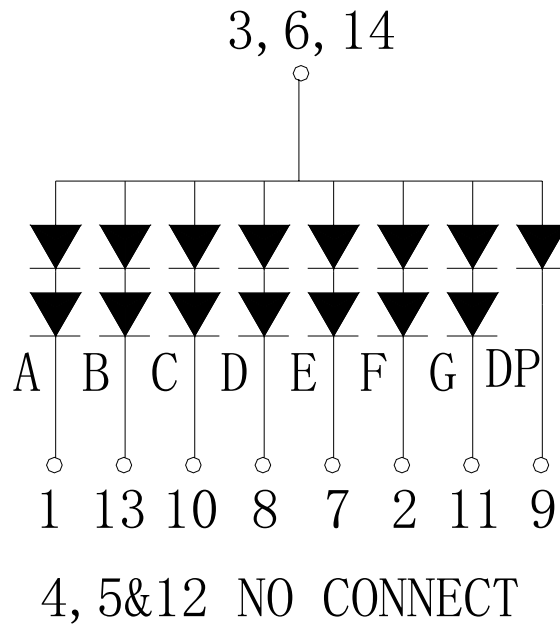
DEVICE

PART NO.	EMITTING COLOR	DESCRIPTION
REC-S10101AG	Yellow-Green	Black face, White Segments.

PACKAGE DIMENSION



INTERNAL CIRCUIT DIAGRAM



PIN CONNECTION

PIN NO.	CONNECTION	PIN NO.	CONNECTION
1	Cathode A	8	Cathode D
2	Cathode F	9	Cathode DP
3	Anode	10	Cathode C
4	No Connect	11	Cathode G
5	No Connect	12	No Connect
6	Anode	13	Cathode B
7	Cathode E	14	Anode

ABSOLUTE MAXIMUM RATING AT T_A=25° C

PARAMETER	SYMBOL	MAXIMUM	UNIT
Power Dissipation per dot	P _{AD}	150	mW
Peak Forward Current per dot (1/10 duty cycle, 0.1ms pulse width)	I _{PF}	80	mA
Continuous Forward Current per dot	I _{AF}	20	mA
Reverse Voltage per dot	V _R	10	V
Operating Temperature Range, T _{opr}		- 25° C to + 80° C	
Storage Temperature Range, T _{stg}		- 30° C to + 85° C	
Solder Temperature : 1 / 16 inch below seating plane for 3 seconds at 260° C			

ELECTRO - OPTICAL CHARACTERISTICS AT T_A=25° C

PARAMETER	UNIT	MIN	TYPE	MAX
Luminous Intensity per chip, I _V (I _F =20mA)	mcd	10	12	13
Peak Emission Wavelength, λ _P (I _F =20mA)	nm		570	
Special Line Half-Width, Δλ (I _F =20mA)	nm		20	
Forward Voltage per chip, V _F (I _F =20mA)	V	2.1	2.3	2.5
Reverse Current per chip, I _R , (V _R =5V)	μA			100
Luminous Intensity Matching Ratio, I _{V-m} (I _F =20mA)				2 : 1