

SPECIFICATION FORM**FEATURES**

- ◇ 22.40MM×33.00MM OUTLINE
- ◇ 1.0 INCHES (26.00MM) DIGIT HEIGHT
- ◇ SINGLE DIGIT
- ◇ SINGLE COLOR
- ◇ HIGH BRIGHTNESS
- ◇ EASY ASSEMBLY
- ◇ SOLID STATE RELIABILITY

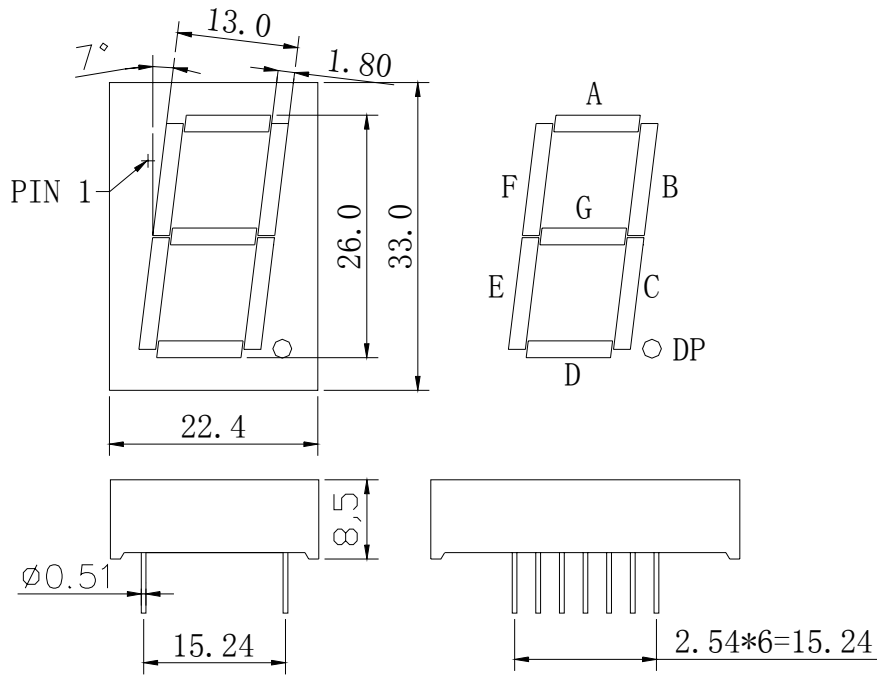
DESCRIPTION

The REC-S10101CG is a 1.0 inches (26.0mm) digit height, 22.4mm×33.00mm outline, single color, single digit, common cathode numeric display. This display utilizes yellow-green LED chips fabricated from GaP epiwafer on GaP substrate grown by liquid phase epitaxy. The devices have black face and white segments.

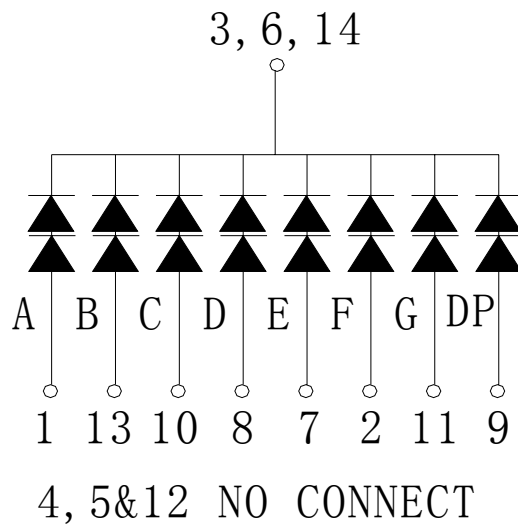
DEVICE

PART NO.	EMITTING COLOR	DESCRIPTION
REC-S10101CG	Yellow-Green	Black face, White Segments.

PACKAGE DIMENSION



INTERNAL CIRCUIT DIAGRAM



PIN CONNECTION

PIN NO.	CONNECTION	PIN NO.	CONNECTION
1	Anode A	8	Anode D
2	Anode F	9	Anode DP
3	Cathode	10	Anode C
4	No Connect	11	Anode G
5	No Connect	12	No Connect
6	Cathode	13	Anode B
7	Anode E	14	Cathode

ABSOLUTE MAXIMUM RATING AT $T_A=25^\circ\text{C}$

PARAMETER	SYMBOL	MAXIMUM	UNIT
Power Dissipation per dot	P_{AD}	150	mW
Peak Forward Current per dot (1/10 duty cycle, 0.1ms pulse width)	I_{PF}	80	mA
Continuous Forward Current per dot	I_{AF}	20	mA
Reverse Voltage per dot	V_R	10	V
Operating Temperature Range, T_{opr}	- 25° C to + 80° C		
Storage Temperature Range, T_{stg}	- 30° C to + 85° C		
Solder Temperature : 1 / 16 inch below seating plane for 3 seconds at 260° C			

ELECTRO - OPTICAL CHARACTERISTICS AT $T_A=25^\circ\text{C}$

PARAMETER	UNIT	MIN	TYPE	MAX
Luminous Intensity per chip, I_V ($I_F=20\text{mA}$)	mcd	10	12	13
Peak Emission Wavelength, λ_p ($I_F=20\text{mA}$)	nm		570	
Special Line Half-Width, $\Delta\lambda$ ($I_F=20\text{mA}$)	nm		20	
Forward Voltage per chip, V_F ($I_F=20\text{mA}$)	V	2.1	2.3	2.5
Reverse Current per chip, I_R , ($V_R=5\text{V}$)	μA			100
Luminous Intensity Matching Ratio, I_{V-m} ($I_F=20\text{mA}$)				2 : 1