

SPECIFICATION FORM**FEATURES**

- ◇ 28.80MM×40.80MM OUTLINE
- ◇ 1.2 INCHES (30.60MM) DIGIT HEIGHT
- ◇ SINGLE DIGIT
- ◇ SINGLE COLOR
- ◇ HIGH BRIGHTNESS
- ◇ EASY ASSEMBLY
- ◇ SOLID STATE RELIABILITY

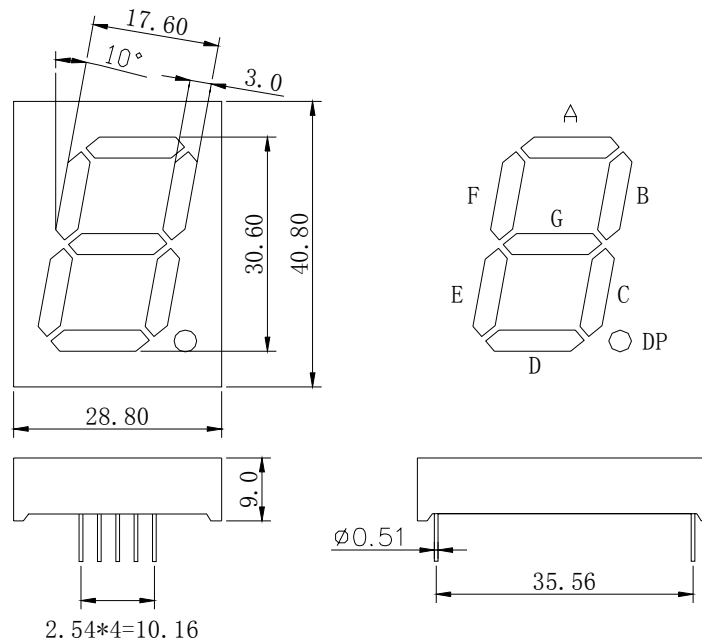
DESCRIPTION

The REC-S12101AG is a 1.2 inches (30.60mm) digit height, 28.80mm×40.80mm outline, single color, single digit, common anode numeric display. This display utilizes yellow-green LED chips fabricated from GaP epiwafer on GaP substrate grown by liquid phase epitaxy. The devices have black face and white segments.

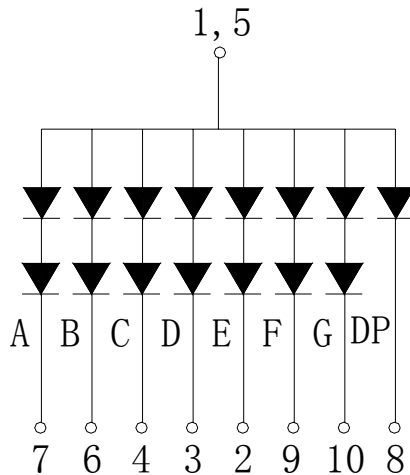
DEVICE

PART NO.	EMITTING COLOR	DESCRIPTION
REC-S12101AG	Yellow-Green	Black face, White Segments.

PACKAGE DIMENSION



INTERNAL CIRCUIT DIAGRAM



PIN CONNECTION

PIN NO.	CONNECTION	PIN NO.	CONNECTION
1	Anode	6	Cathode B
2	Cathode E	7	Cathode A
3	Cathode D	8	Cathode DP
4	Cathode C	9	Cathode F
5	Anode	10	Cathode G

ABSOLUTE MAXIMUM RATING AT T_A=25° C

PARAMETER	SYMBOL	MAXIMUM	UNIT
Power Dissipation per dot	P _{AD}	130	mW
Peak Forward Current per dot (1/10 duty cycle, 0.1ms pulse width)	I _{PF}	80	mA
Continuous Forward Current per dot	I _{AF}	20	mA
Reverse Voltage per dot	V _R	10	V
Operating Temperature Range, T _{opr}	- 25° C to + 80° C		
Storage Temperature Range, T _{stg}	- 30° C to + 85° C		
Solder Temperature : 1 / 16 inch below seating plane for 3 seconds at 260° C			

ELECTRO - OPTICAL CHARACTERISTICS AT T_A=25° C

PARAMETER	UNIT	MIN	TYPE	MAX
Luminous Intensity per chip, I _V (I _F =20mA)	mcd	10	12	13
Peak Emission Wavelength, λ _p (I _F =20mA)	nm		570	
Special Line Half-Width, Δλ (I _F =20mA)	nm		20	
Forward Voltage per chip, V _F (I _F =20mA)	V	2.2	2.3	2.4
Reverse Current per chip, I _R , (V _R =5V)	μA			100
Luminous Intensity Matching Ratio, I _{V-m} (I _F =20mA)				2 : 1