

**SPECIFICATION FORM****FEATURES**

- ✧ 2.30 INCHES (56.80MM) DIGIT HEIGHT
- ✧ 47.80MM×69.70MM OUTLINE
- ✧ SINGLE DIGIT
- ✧ MONO COLOR
- ✧ EASY ASSEMBLY
- ✧ HIGH BRIGHTNESS
- ✧ SOLID STATE RELIABILITY

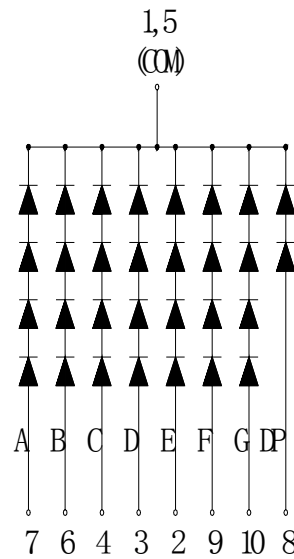
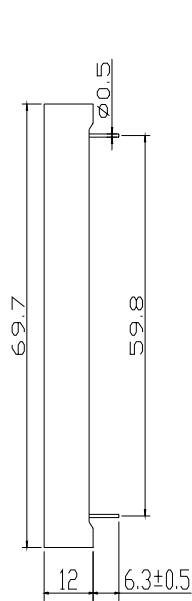
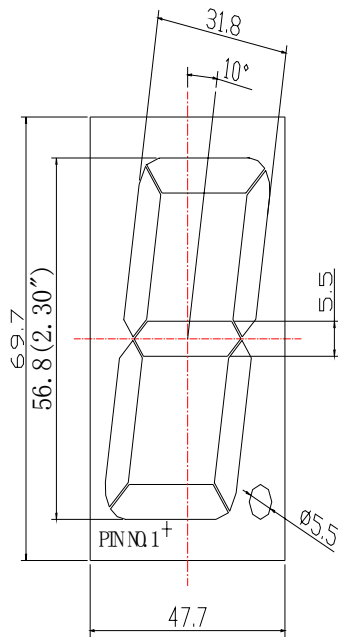
**DESCRIPTION**

The REC-S23101AG(C) is a 2.3 inches (56.80mm) digit height, 47.80mm×69.70mm outline, single color, single digit numeric display. This display utilizes yellow-green LED chips fabricated from GaP epiwafer on GaP substrate grown by liquid phase epitaxy. These devices have black face and white segments.

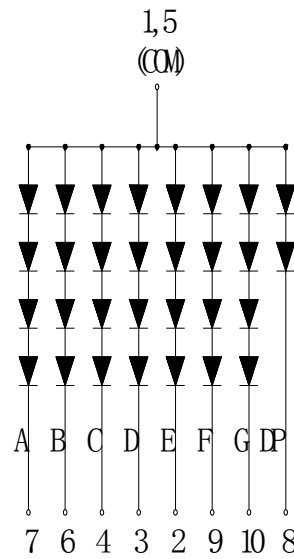
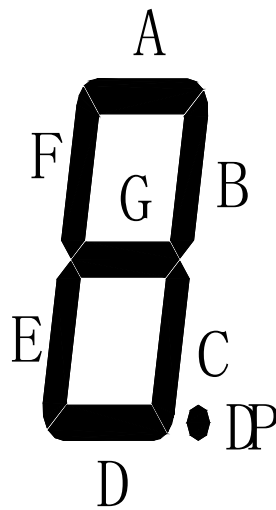
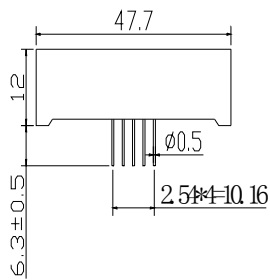
**DEVICE**

| <b>PART NO.</b> | <b>EMITTING COLOR</b> | <b>DESCRIPTION</b>          |
|-----------------|-----------------------|-----------------------------|
| REC-S23101AG(C) | Yellow-Green          | Black Face & White Segments |

**PACKAGE DIMENSION**



- 1. COMMON CATHODE
- 2. ANODE E
- 3. ANODE D
- 4. ANODE C
- 5. COMMON CATHODE
- 6. ANODE B
- 7. ANODE A
- 8. ANODE DP
- 9. ANODE F
- 10. ANODE G



- 1. COMMON ANODE
- 2. CATHODE E
- 3. CATHODE D
- 4. CATHODE C
- 5. COMMON ANODE
- 6. CATHODE B
- 7. CATHODE A
- 8. CATHODE DP
- 9. CATHODE F
- 10. CATHODE G

**ABSOLUTE MAXIMUM RATING AT  $T_A=25^{\circ}\text{C}$** 

| PARAMETER  | SYMBOL   | MAXIMUM            | UNIT |
|--|----------|--------------------|------|
| Power Dissipation per Seg.   | $P_{AD}$ | 300                | mW   |
| Peak Forward Current per Seg.  | $I_{PF}$ | 80                 | mA   |
| Continuous Forward Current per Seg.  | $I_{AF}$ | 20                 | mA   |
| Reverse Voltage per Seg.   | $V_R$    | 5                  | V    |
| Operating Temperature Range, $T_{opr}$                                       |          | - 25° C to + 60° C |      |
| Storage Temperature Range, $T_{stg}$   |          | - 30° C to + 85° C |      |
| Solder Temperature : 1 / 16 inch below seating plane for 3 seconds at 260° C |          |                    |      |

**ELECTRO - OPTICAL CHARACTERISTICS AT  $T_A=25^{\circ}\text{C}$** 

| PARAMETER  | UNIT          | MIN | TYPE | MAX |
|--|---------------|-----|------|-----|
| Luminous Intensity per Seg., $I_V$ ( $I_F=20\text{mA}$ )           | mcd           | 10  | 13   | 17  |
| Peak Emission Wavelength, $\lambda_p$ ( $I_F=20\text{mA}$ )        | nm            |     | 572  |     |
| Special Line Half-Width, $\Delta\lambda$ ( $I_F=20\text{mA}$ )     | nm            |     | 30   |     |
| Forward Voltage per Seg., $V_F$ ( $I_F=20\text{mA}$ )              | V             | 1.7 | 2.15 | 2.5 |
| Reverse Current per Seg., $I_R$ , ( $V_R=5\text{V}$ )              | $\mu\text{A}$ |     |      | 100 |
| Luminous Intensity Matching Ratio, $I_{V-m}$ ( $I_F=20\text{mA}$ ) |               |     |      | 2:1 |