

RAYCONN ELECTRONICS CO., LTD.

SPECIFICATION FORM

FEATURES

- ✧ 0.28 INCHES (7.10MM) DIGIT HEIGHT
- ✧ 32.20MM×10.20MM OUTLINE
- ✧ SINGLE DIGIT
- ✧ SINGLE COLOR
- ✧ EASY ASSEMBLY
- ✧ HIGH BRIGHTNESS
- ✧ SOLID STATE RELIABILITY

DESCRIPTION

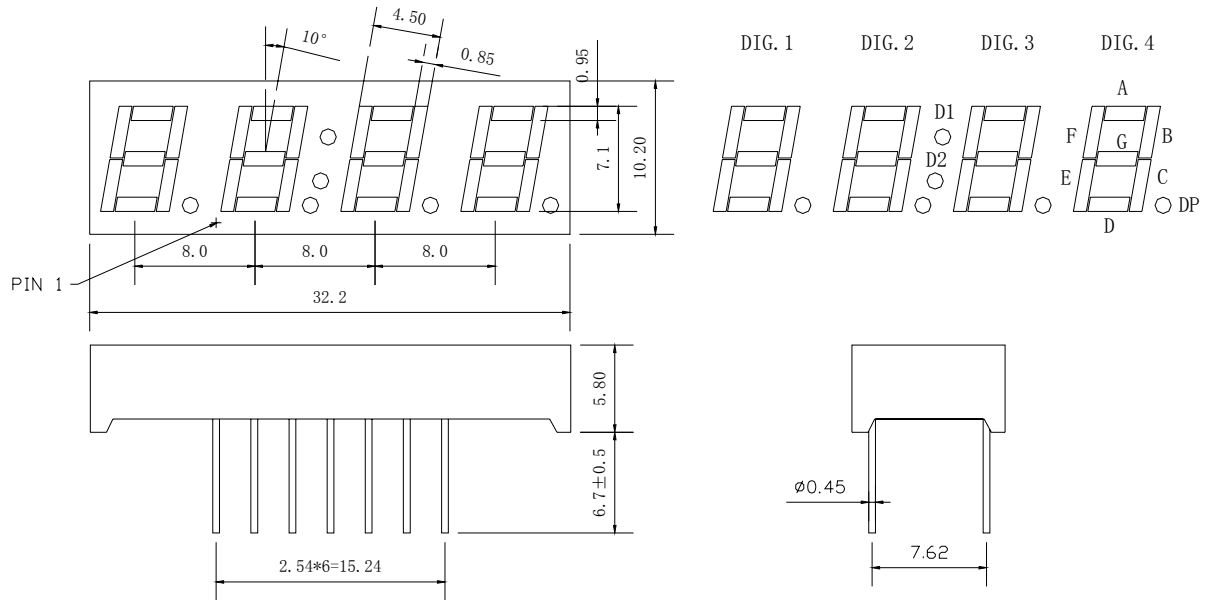
The REC-S2481CSR-2 is a 0.28 inches (7.10mm) digit height, 32.20mm×10.20mm outline, single color, four digit, common Cathode numeric display. This display utilizes red LED chips fabricated from GaAlAs epiwafer on GaAs substrate grown by liquid phase epitaxy. These devices have black surface and white segments.

DEVICE

PART NO.	EMITTING COLOR	DESCRIPTION
REC-S2481CSR-2	Super-Red	Black Face & White Segments

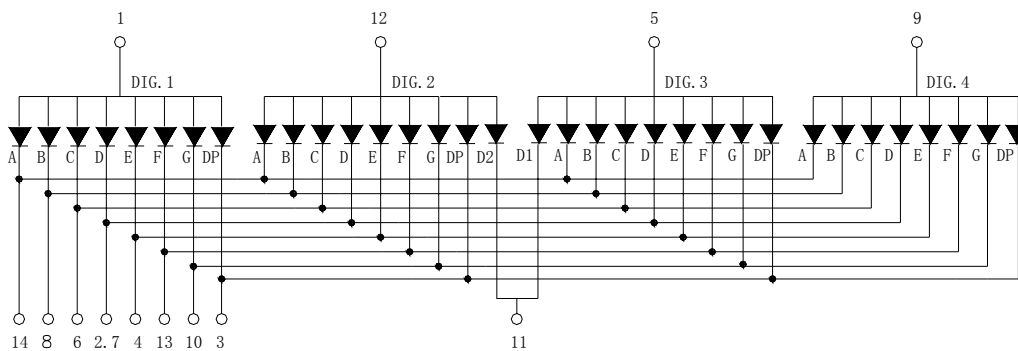
RAYCONN ELECTRONICS CO., LTD.

PACKAGE DIMENSION



- Notes: 1. All Dimensions are in millimeters.
 2. Tolerance is $\pm 0.25\text{mm}$ unless otherwise specified.

INTERNAL CIRCUIT DIAGRAM



RAYCONN ELECTRONICS CO., LTD.

PIN CONNECTION

PIN NO.	CONNECTION	PIN NO.	CONNECTION	PIN NO.	CONNECTION
1	Anode Dig.1	6	Cathode C	11	Cathode D1.D2
2	Cathode D	7	Cathode D	12	Anode Dig.2
3	Cathode DP(Dig.1-Dig.4)	8	Cathode B	13	Cathode F
4	Cathode E	9	Anode Dig.4	14	Cathode A
5	Anode Dig.3	10	Cathode G		

ABSOLUTE MAXIMUM RATING AT $T_A=25^\circ\text{C}$

PARAMETER	SYMBOL	MAXIMUM	UNIT
Power Dissipation per Seg.	P_{AD}	60	mW
Peak Forward Current per Seg.		80	mA
Continuous Forward Current per Seg.	I_{AF}	20	mA
Reverse Voltage per Seg.	V_R	5	V
Operating Temperature Range, T_{opr}		- 25° C to + 60° C	
Storage Temperature Range, T_{stg}		- 30° C to + 85° C	
Solder Temperature : 1 / 16 inch below seating plane for 3 seconds at 260° C			

ELECTRO - OPTICAL CHARACTERISTICS AT $T_A=25^\circ\text{C}$

PARAMETER	UNIT	MIN	TYPE	MAX
Luminous Intensity per Seg., I_V ($I_F=20\text{mA}$)	mcd		10.5	
Peak Emission Wavelength, λ_p ($I_F=20\text{mA}$)	nm		644	
Special Line Half-Width, $\Delta\lambda$ ($I_F=20\text{mA}$)	nm		20	
Forward Voltage per Seg., V_F ($I_F=20\text{mA}$)	V	1.6	1.8	2.1
Reverse Current per Seg., I_R , ($V_R=5\text{V}$)	μA			100
Luminous Intensity Matching Ratio, I_{V-m} ($I_F=20\text{mA}$)				2 : 1