

RAYCONN ELECTRONICS CO., LTD.

SPECIFICATION FORM

FEATURES

- ✧ 0.36 INCHES (9.20MM) DIGIT HEIGHT
- ✧ 15.00MM×14.00MM OUTLINE
- ✧ DUAL DIGIT
- ✧ MONO COLOR
- ✧ EASY ASSEMBLY
- ✧ SUPER BRIGHTNESS
- ✧ SOLID STATE RELIABILITY

DESCRIPTION

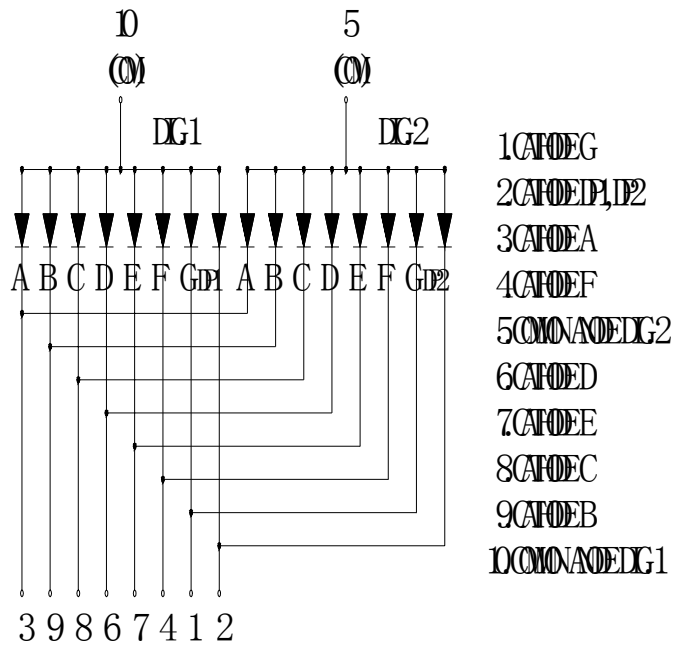
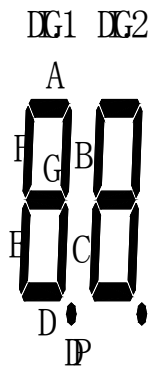
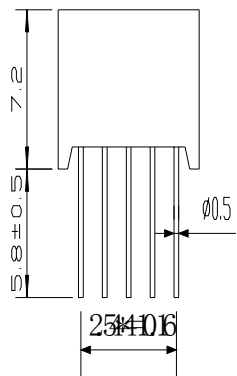
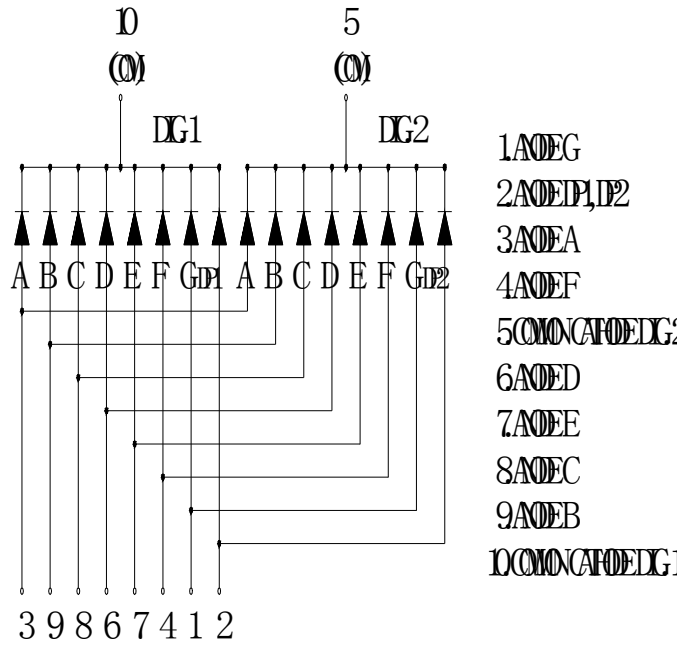
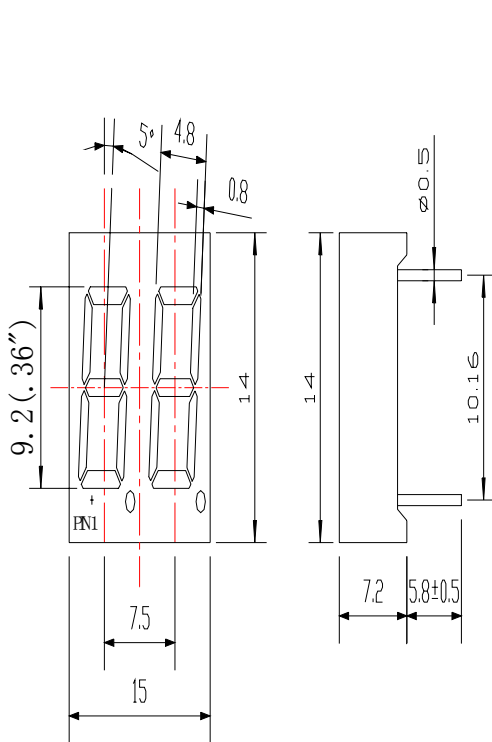
The REC-S3261ASR/CSR is a 0.36 inches (9.20mm) digit height, 15.00mm×14.00mm outline, single color, dual digit numeric display. This display utilizes super-red LED chips fabricated from DH GaAlAs epiwafer on GaAs substrate grown by liquid phase epitaxy. These devices have black face and white segments.

DEVICE

PART NO.	EMITTING COLOR	DESCRIPTION
REC-S3261ASR/CSR	Super-Red	Common Anode/Cathode

RAYCONN ELECTRONICS CO., LTD.

PACKAGE DIMENSION



RAYCONN ELECTRONICS CO., LTD.

ABSOLUTE MAXIMUM RATING AT $T_A=25^{\circ}\text{C}$

PARAMETER	SYMBOL	MAXIMUM	UNIT
Power Dissipation per Seg.	P_{AD}	60	mW
Peak Forward Current per Seg.	I_{PF}	80	mA
Continuous Forward Current per Seg.	I_{AF}	20	mA
Reverse Voltage per Seg.	V_R	5	V
Operating Temperature Range, T_{opr}	- 25° C to + 60° C		
Storage Temperature Range, T_{stg}	- 30° C to + 85° C		
Solder Temperature : 1 / 16 inch below seating plane for 3 seconds at 260° C			

ELECTRO - OPTICAL CHARACTERISTICS AT $T_A=25^{\circ}\text{C}$

PARAMETER	UNIT	MIN	TYPE	MAX
Luminous Intensity per Seg., I_V ($I_F=20\text{mA}$)	mcd	7	13	15
Peak Emission Wavelength, λ_P ($I_F=20\text{mA}$)	nm		645	
Special Line Half-Width, $\Delta\lambda$ ($I_F=20\text{mA}$)	nm		20	
Forward Voltage per Seg., V_F ($I_F=20\text{mA}$)	V	1.6	1.8	2.1
Reverse Current per chipSeg., I_R , ($V_R=5\text{V}$)	μA			100
Luminous Intensity Matching Ratio, I_{V-m} ($I_F=20\text{mA}$)				2:1