

RAYCONN ELECTRONICS CO., LTD.

SPECIFICATION FORM

FEATURES

- ✧ 0.40 INCHES (10.16MM) DIGIT HEIGHT
- ✧ 9.80MM×18.70MM OUTLINE
- ✧ SINGLE DIGIT
- ✧ SINGLE COLOR
- ✧ EASY ASSEMBLY
- ✧ HIGH BRIGHTNESS
- ✧ SOLID STATE RELIABILITY

DESCRIPTION

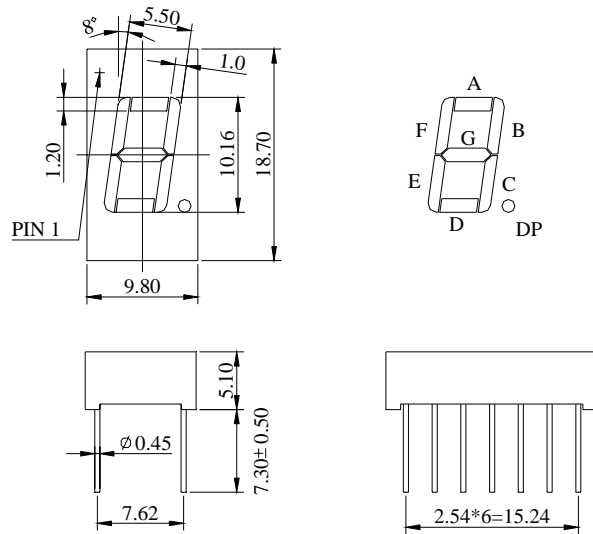
The REC-S4102ASR-2 is a 0.4 inches (10.16mm) digit height, 9.80mm×18.70mm outline, single color, single digit with common anode numeric display. The display utilizes super-red LED chips fabricated from GaAlAs epiwafer on GaAs substrate grown by liquid phase epitaxy. These devices have black surface and white segments.

DEVICE

PART NO.	EMITTING COLOR	DESCRIPTION
REC-S4102ASR-2	Red	Black Surface & White Segments

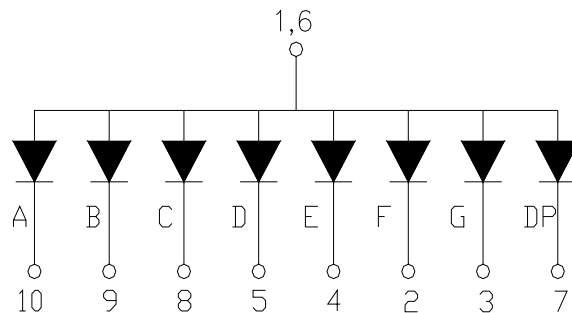
RAYCONN ELECTRONICS CO., LTD.

PACKAGE DIMENSION



- Notes: 1. All dimensions are in millimeters.
2. Tolerance is ± 0.25 mm unless otherwise specified.

INTERNAL CIRCUIT DIAGRAM



RAYCONN ELECTRONICS CO., LTD.

PIN CONNECTION

PIN NO.	CONNECTION	PIN NO.	CONNECTION
1	Common Anode	6	Common Anode
2	Cathode F	7	Cathode DP
3	Cathode G	8	Cathode C
4	Cathode E	9	Cathode B
5	Cathode D	10	Cathode A

ABSOLUTE MAXIMUM RATING AT $T_A=25^{\circ}\text{C}$

PARAMETER	SYMBOL	MAXIMUM	UNIT
Power Dissipation per Seg.	P_{AD}	65	mW
Peak Forward Current per Seg. (1/10 duty cycle, 0.1ms pulse width.)	I_{PF}	100	mA
Continuous Forward Current per Seg.	I_{AF}	20	mA
Reverse Voltage per Seg.	V_R	5	V
Operating Temperature Range, T_{opr}		- 25° C to + 80° C	
Storage Temperature Range, T_{stg}		- 30° C to + 85° C	
Solder Temperature : 1 / 16 inch below seating plane for 3 seconds at 260° C			

ELECTRO - OPTICAL CHARACTERISTICS AT $T_A=25^{\circ}\text{C}$

PARAMETER	UNIT	MIN	TYPE	MAX
Luminous Intensity per Seg., I_V ($I_F=20\text{mA}$)	mcd	7	10	15
Peak Emission Wavelength, λ_p ($I_F=20\text{mA}$)	nm		635	
Special Line Half-Width, $\Delta\lambda$ ($I_F=20\text{mA}$)	nm		20	
Forward Voltage per Seg., V_F ($I_F=20\text{mA}$)	V	1.6	1.8	2.2
Reverse Current per Seg., I_R , ($V_R=5\text{V}$)	μA			100
Luminous Intensity Matching Ratio, I_{V-m} ($I_F=20\text{mA}$)				1.5:1