

RAYCONN ELECTRONICS CO., LTD.

SPECIFICATION FORM

FEATURES

- ✧ 0.40 INCHES (10.16MM) DIGIT HEIGHT
- ✧ 9.80MM×18.70MM OUTLINE
- ✧ SINGLE DIGIT
- ✧ SINGLE COLOR
- ✧ EASY ASSEMBLY
- ✧ HIGH BRIGHTNESS
- ✧ SOLID STATE RELIABILITY

DESCRIPTION

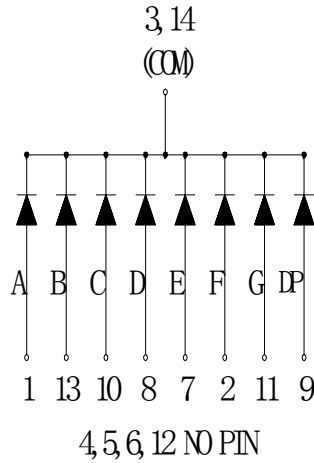
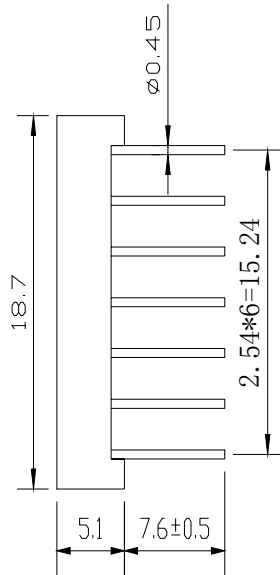
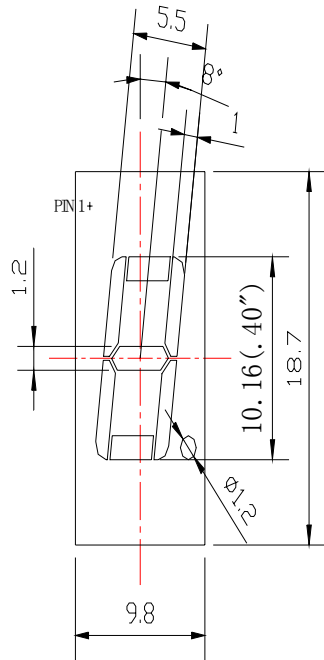
The REC-S4102CG/AG is a 0.4 inches (10.16mm) digit height, 9.80mm×18.70mm outline, single color, single digit with common cathode & common anode numeric display. The display utilizes yellow-green LED chips fabricated from GaP epiwafer on GaP substrate grown by liquid phase epitaxy. These devices have black surface and white segments.

DEVICE

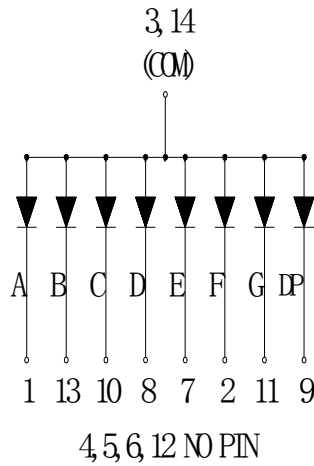
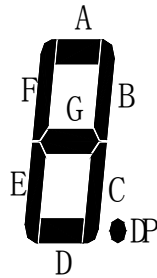
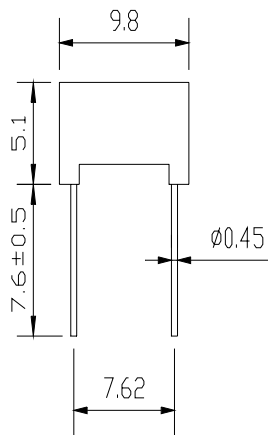
PART NO.	EMITTING COLOR	DESCRIPTION
REC-S4102CG/AG	Red	Black Surface & White Segments

RAYCONN ELECTRONICS CO., LTD.

PACKAGE DIMENSION



- 1. ANODE A
- 2. ANODE F
- 3. COMMON CATHODE
- 4. NO PIN
- 5. NO PIN
- 6. NO PIN
- 7. ANODE E
- 8. ANODE D
- 9. ANODE DP
- 10. ANODE C
- 11. ANODE G
- 12. NO PIN
- 13. ANODE B
- 14. COMMON CATHODE



- 1. CATHODE A
- 2. CATHODE F
- 3. COMMON ANODE
- 4. NO PIN
- 5. NO PIN
- 6. NO PIN
- 7. CATHODE E
- 8. CATHODE D
- 9. CATHODE DP
- 10. CATHODE C
- 11. CATHODE G
- 12. NO PIN
- 13. CATHODE B
- 14. COMMON ANODE

Notes: 1. All dimensions are in millimeters.
 2. Tolerance is $\pm 0.25\text{mm}$ unless otherwise specified.

RAYCONN ELECTRONICS CO., LTD.

ABSOLUTE MAXIMUM RATING AT $T_A=25^{\circ}\text{C}$

PARAMETER	SYMBOL	MAXIMUM	UNIT
Power Dissipation per Seg.	P_{AD}	75	mW
Peak Forward Current per Seg. (1/10 duty cycle, 0.1ms pulse width.)	I_{PF}	100	mA
Continuous Forward Current per Seg.	I_{AF}	20	mA
Reverse Voltage per Seg.	V_R	5	V
Operating Temperature Range, T_{opr}		- 25° C to + 80° C	
Storage Temperature Range, T_{stg}		- 30° C to + 85° C	
Solder Temperature : 1 / 16 inch below seating plane for 3 seconds at 260° C			

ELECTRO - OPTICAL CHARACTERISTICS AT $T_A=25^{\circ}\text{C}$

PARAMETER	UNIT	MIN	TYPE	MAX
Luminous Intensity per Seg., I_V ($I_F=20\text{mA}$)	mcd	7	10	15
Peak Emission Wavelength, λ_p ($I_F=20\text{mA}$)	nm		570	
Special Line Half-Width, $\Delta\lambda$ ($I_F=20\text{mA}$)	nm		20	
Forward Voltage per Seg., V_F ($I_F=20\text{mA}$)	V	1.6	1.8	2.2
Reverse Current per Seg., I_R , ($V_R=5\text{V}$)	μA			100
Luminous Intensity Matching Ratio, I_{V-m} ($I_F=20\text{mA}$)				1.5:1