

RAYCONN ELECTRONICS CO., LTD.

SPECIFICATION FORM

FEATURES

- ✧ 0.40INCHES (10.20MM) DIGIT HEIGHT
- ✧ 20.10MM×16.0MM OUTLINE
- ✧ DUAL DIGIT
- ✧ SINGLE COLOR
- ✧ EASY ASSEMBLY
- ✧ HIGH BRIGHTNESS
- ✧ SOLID STATE RELIABILITY

DESCRIPTION

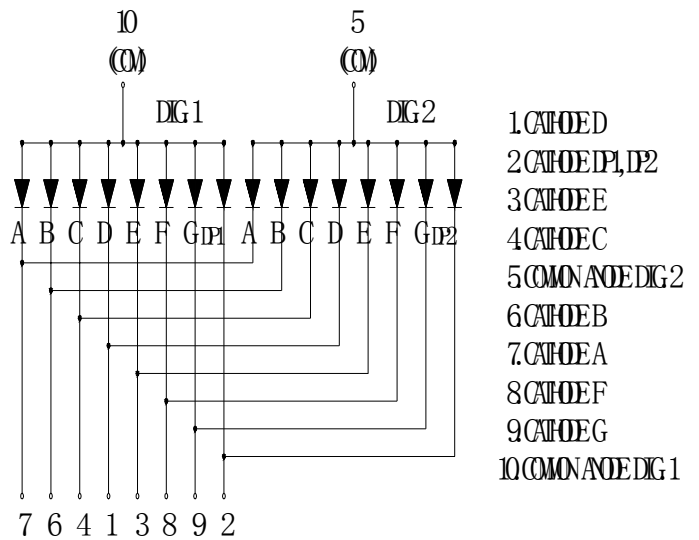
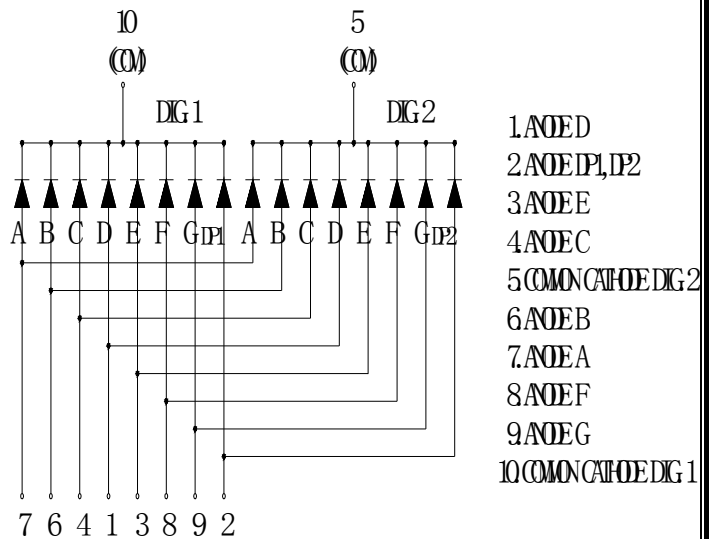
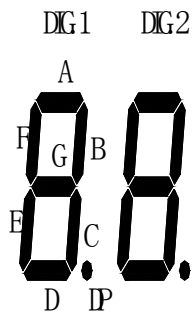
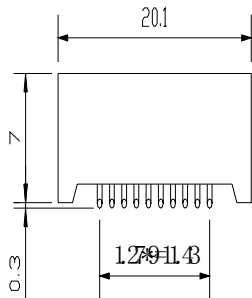
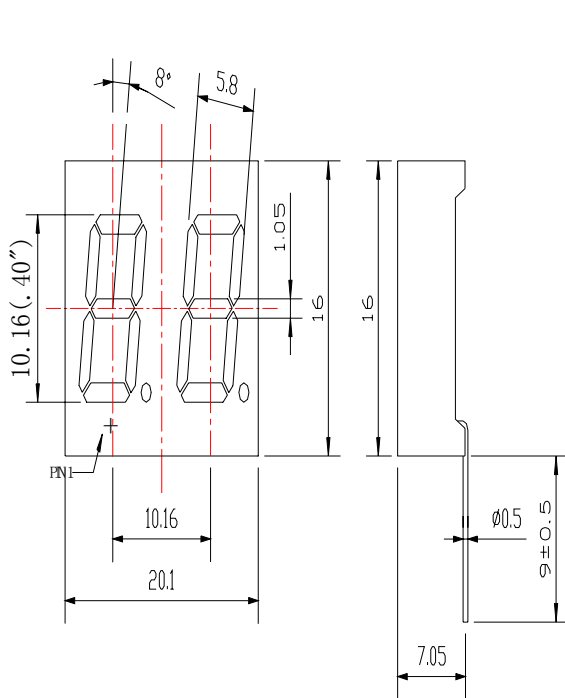
The REC-S4201AG/CG-3 is a 0.40 inches(10.20mm) digit height, 20.10mm×16.0mm outline, single color, dual digit & common cathode & common anode numeric display. This display utilizes green LED chips fabricated from GaP epiwafer on GaP substrate grown by liquid phase epitaxy. These devices have black face and white segments.

DEVICE

PART NO.	EMITTING COLOR	DESCRIPTION
REC-S4201CG/AG-3	Yellow-green	Black Face & White Segments

RAYCONN ELECTRONICS CO., LTD.

PACKAGE DIMENSION



RAYCONN ELECTRONICS CO., LTD.

ABSOLUTE MAXIMUM RATING AT $T_A=25^{\circ}\text{C}$

PARAMETER	SYMBOL	MAXIMUM	UNIT
Power Dissipation per Seg.	P_{AD}	75	mW
Peak Forward Current per Seg. (1/10 Duty Cycle, 0.1ms Pules Width)	I_{PF}	80	mA
Continuous Forward Current per Seg.	I_{AF}	20	mA
Reverse Voltage per Seg.	V_R	5	V
Operating Temperature Range, T_{opr}		- 25° C to + 85° C	
Storage Temperature Range, T_{stg}		- 30° C to + 90° C	
Solder Temperature : 1 / 16 inch below seating plane for 3 seconds at 260° C			

ELECTRO - OPTICAL CHARACTERISTICS AT $T_A=25^{\circ}\text{C}$

PARAMETER	UNIT	MIN	TYPE	MAX
Luminous Intensity per Seg., I_V ($I_F=20\text{mA}$)	mcd	11	13	15
Peak Emission Wavelength, λ_P ($I_F=20\text{mA}$)	nm		570	
Special Line Half-Width, $\Delta\lambda$ ($I_F=20\text{mA}$)	nm		30	
Forward Voltage per Seg., V_F ($I_F=20\text{mA}$)	V	1.8	2.15	2.50
Reverse Current per Seg., I_R , ($V_R=5\text{V}$)	μA			100
Luminous Intensity Matching Ratio, I_{V-m} ($I_F=20\text{mA}$)				2 : 1