

SPECIFICATION FORM

FEATURES

- ✧ 0.40INCHES (10.20MM) DIGIT HEIGHT
- ✧ 20.10MM×16.0MM OUTLINE
- ✧ DUAL DIGIT
- ✧ SINGLE COLOR
- ✧ EASY ASSEMBLY
- ✧ HIGH BRIGHTNESS
- ✧ SOLID STATE RELIABILITY

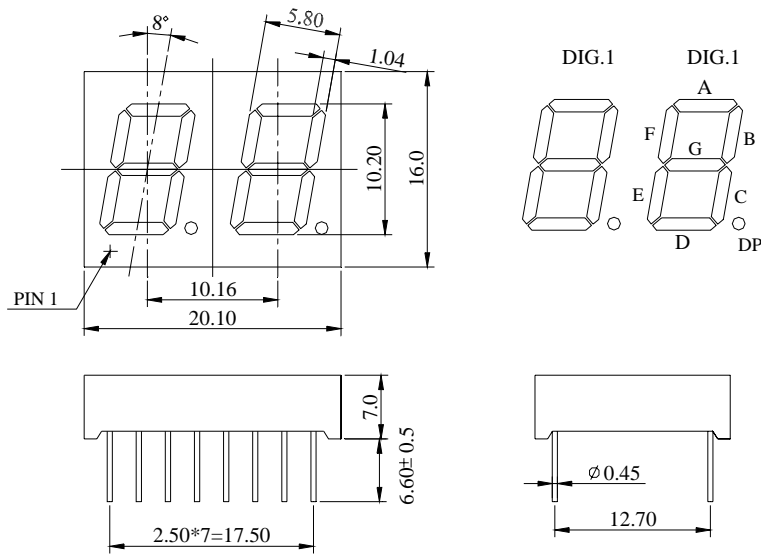
DESCRIPTION

The REC-S4201AG is a 0.40 inches(10.20mm) digit height, 20.10mm×16.0mm outline, single color, dual digit & common anode numeric display. This display utilizes yellow-green LED chips fabricated from GaP epiwafer on GaP substrate grown by liquid phase epitaxy. These devices have black face and white segments.

DEVICE

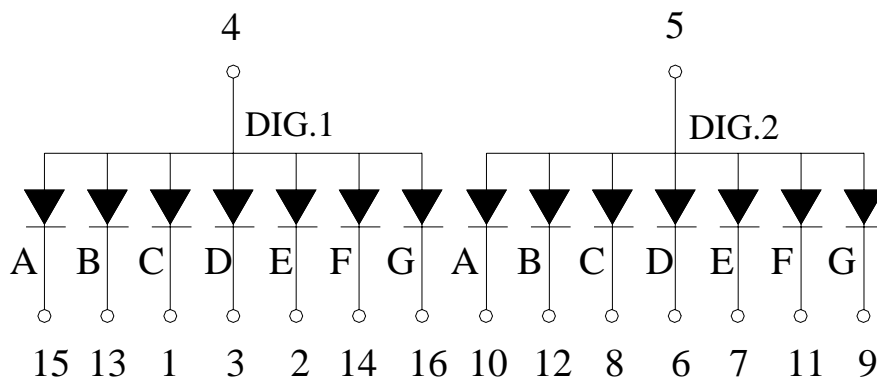
| PART NO. | EMITTING COLOR | DESCRIPTION |
|-------------|----------------|-----------------------------|
| REC-S4201AG | Yellow-Green | Black Face & White Segments |

PACKAGE DIMENSION



Note: Tolerance is $\pm 0.25\text{mm}$ unless otherwise noted.

INTERNAL CIRCUIT DIAGRAM



PIN CONNECTION

| PIN NO. | CONNECTION | PIN NO. | CONNECTION | PIN NO. | CONNECTION |
|---------|------------------|---------|------------------|---------|------------------|
| 1 | Cathode C Dig. 1 | 7 | Cathode E Dig. 2 | 13 | Cathode B Dig. 1 |
| 2 | Cathode E Dig. 1 | 8 | Cathode C Dig. 2 | 14 | Cathode F Dig. 1 |
| 3 | Cathode D Dig. 1 | 9 | Cathode G Dig. 2 | 15 | Cathode A Dig. 1 |
| 4 | Anode Dig.1 | 10 | Cathode A Dig. 2 | 16 | Cathode G Dig. 1 |
| 5 | Anode Dig.2 | 11 | Cathode F Dig. 2 | | |
| 6 | Cathode D Dig. 2 | 12 | Cathode B Dig. 2 | | |

ABSOLUTE MAXIMUM RATING AT $T_A=25^{\circ}\text{C}$

| PARAMETER | SYMBOL | MAXIMUM | UNIT |
|--|--------------------|---------|------|
| Power Dissipation per Seg. | P_{AD} | 75 | mW |
| Peak Forward Current per Seg. (1/10 Duty Cycle, 0.1ms Pules Width) | I_{PF} | 80 | mA |
| Continuous Forward Current per Seg. | I_{AF} | 20 | mA |
| Reverse Voltage per Seg. | V_R | 5 | V |
| Operating Temperature Range, T_{opr} | - 25° C to + 85° C | | |
| Storage Temperature Range, T_{stg} | - 30° C to + 90° C | | |
| Solder Temperature : 1 / 16 inch below seating plane for 3 seconds at 260° C | | | |

ELECTRO - OPTICAL CHARACTERISTICS AT $T_A=25^{\circ}\text{C}$

| PARAMETER | UNIT | MIN | TYPE | MAX |
|--|---------------|-----|------|-------|
| Luminous Intensity per Seg., I_V ($I_F=20\text{mA}$) | mcd | 10 | 13 | 15 |
| Peak Emission Wavelength, λ_p ($I_F=20\text{mA}$) | nm | | 575 | |
| Special Line Half-Width, $\Delta\lambda$ ($I_F=20\text{mA}$) | nm | | 20 | |
| Forward Voltage per Seg., V_F ($I_F=20\text{mA}$) | V | 1.6 | 1.8 | 2.1 |
| Reverse Current per Seg., I_R , ($V_R=5\text{V}$) | μA | | | 100 |
| Luminous Intensity Matching Ratio, I_{V-m} ($I_F=20\text{mA}$) | | | | 2 : 1 |