

SPECIFICATION FORM

FEATURES

- ✧ 0.40INCHES (10.20MM) DIGIT HEIGHT
- ✧ 20.10MM×16.0MM OUTLINE
- ✧ DUAL DIGIT
- ✧ SINGLE COLOR
- ✧ EASY ASSEMBLY
- ✧ HIGH BRIGHTNESS
- ✧ SOLID STATE RELIABILITY

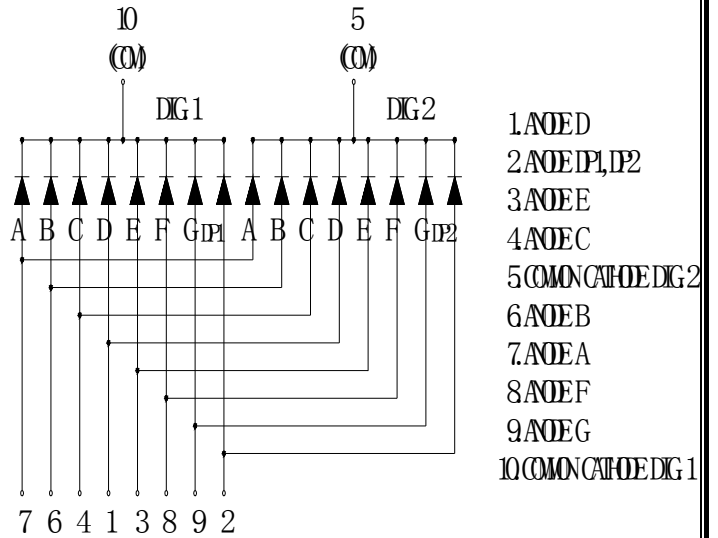
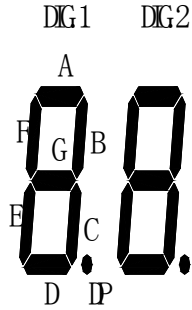
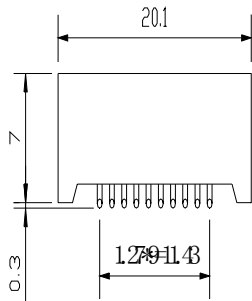
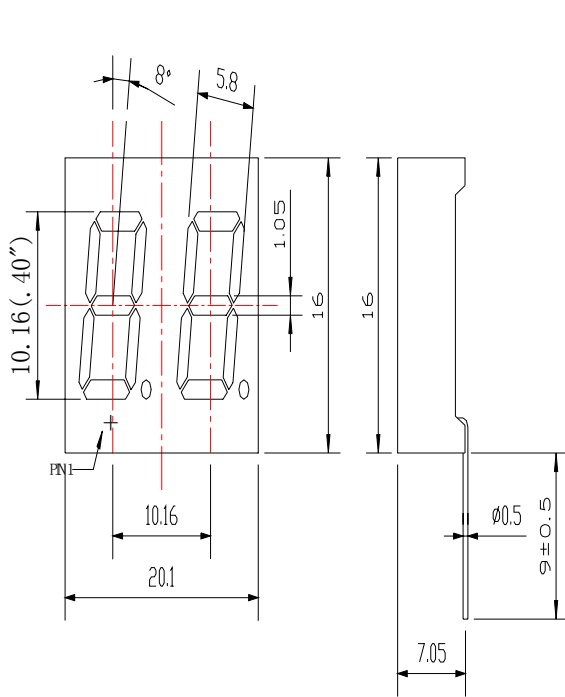
DESCRIPTION

The REC-S4201ASR/CSR-3 is a 0.40 inches(10.20mm) digit height, 20.10mm×16.0mm outline, single color, dual digit & common cathode & common anode numeric display. This display utilizes super-red LED chips fabricated from GaAlAs epiwafer on GaAs substrate grown by liquid phase epitaxy. These devices have black face and white segments.

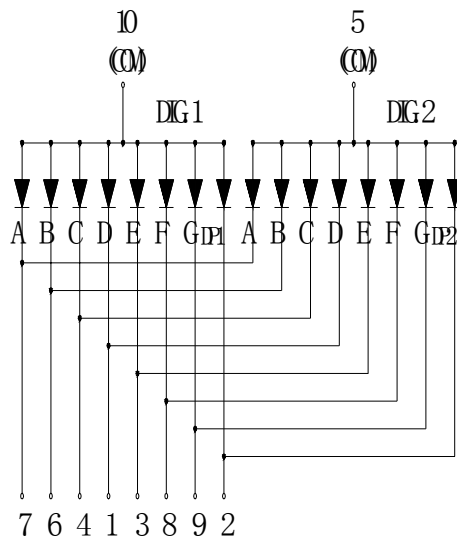
DEVICE

PART NO.	EMITTING COLOR	DESCRIPTION
REC-S4201CG/AG-3	Super-Red	Black Face & White Segments

PACKAGE DIMENSION



- 1.AOED
- 2.AOEDI₁,I₂
- 3.AOEE
- 4.AOEC
- 5.COMONCAHOEDIG2
- 6.AOEB
- 7.AOEA
- 8.AOEF
- 9.AOEG
- 10.COMONCAHOEDIG1



- 1.CAHOED
- 2.CAHOEDI₁,I₂
- 3.CAHOEE
- 4.CAHOEC
- 5.COMONAOEDIG2
- 6.CAHOEB
- 7.CAHOEA
- 8.CAHOEF
- 9.CAHOEG
- 10.COMONAOEDIG1

ABSOLUTE MAXIMUM RATING AT $T_A=25^{\circ}\text{C}$

PARAMETER	SYMBOL	MAXIMUM	UNIT
Power Dissipation per Seg.	P_{AD}	60	mW
Peak Forward Current per Seg. (1/10 Duty Cycle, 0.1ms Pules Width)	I_{PF}	80	mA
Continuous Forward Current per Seg.	I_{AF}	20	mA
Reverse Voltage per Seg.	V_R	5	V
Operating Temperature Range, T_{opr}	- 25° C to + 85° C		
Storage Temperature Range, T_{stg}	- 30° C to + 90° C		
Solder Temperature : 1 / 16 inch below seating plane for 3 seconds at 260° C			

ELECTRO - OPTICAL CHARACTERISTICS AT $T_A=25^{\circ}\text{C}$

PARAMETER	UNIT	MIN	TYPE	MAX
Luminous Intensity per Seg., I_V ($I_F=20\text{mA}$)	mcd	11	13	15
Peak Emission Wavelength, λ_P ($I_F=20\text{mA}$)	nm		640	
Special Line Half-Width, $\Delta\lambda$ ($I_F=20\text{mA}$)	nm		30	
Forward Voltage per Seg., V_F ($I_F=20\text{mA}$)	V	1.8	2.0	2.20
Reverse Current per Seg., I_R , ($V_R=5\text{V}$)	μA			100
Luminous Intensity Matching Ratio, I_{V-m} ($I_F=20\text{mA}$)				2 : 1