

SPECIFICATION FORM

FEATURES

- ✧ 0.40INCHES (10.20MM) DIGIT HEIGHT
- ✧ 20.10MM×16.0MM OUTLINE
- ✧ DUAL DIGIT
- ✧ SINGLE COLOR
- ✧ EASY ASSEMBLY
- ✧ HIGH BRIGHTNESS
- ✧ SOLID STATE RELIABILITY

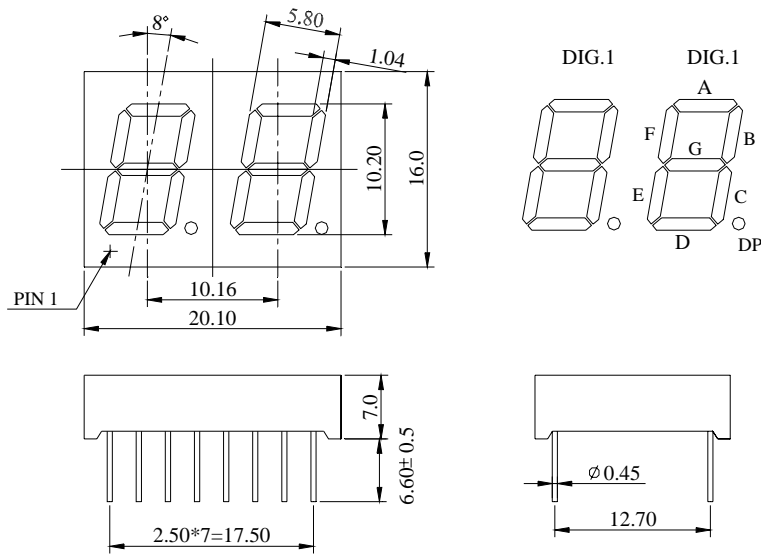
DESCRIPTION

The REC-S4201ASR is a 0.40 inches(10.20mm) digit height, 20.10mm×16.0mm outline, single color, dual digit & common anode numeric display. This display utilizes red LED chips fabricated from GaAlAs epiwafer on GaAs substrate grown by liquid phase epitaxy. These devices have black face and white segments.

DEVICE

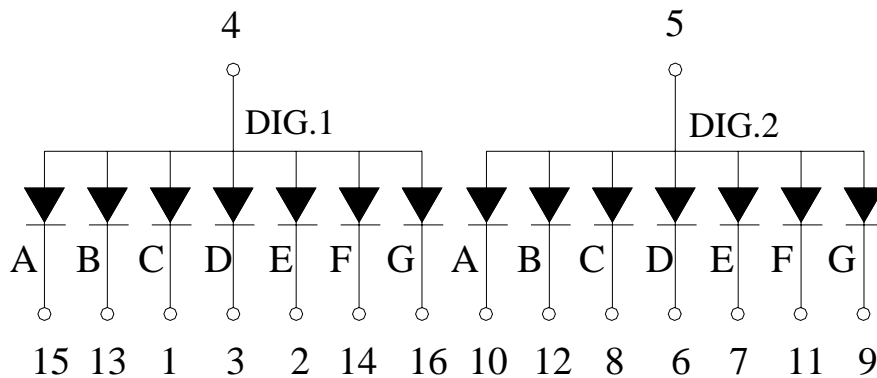
PART NO.	EMITTING COLOR	DESCRIPTION
REC-S4201ASR	Super-red	Black Face & White Segments

PACKAGE DIMENSION



Note: Tolerance is $\pm 0.25\text{mm}$ unless otherwise noted.

INTERNAL CIRCUIT DIAGRAM



PIN CONNECTION

PIN NO.	CONNECTION	PIN NO.	CONNECTION	PIN NO.	CONNECTION
1	Cathode C Dig. 1	7	Cathode E Dig. 2	13	Cathode B Dig. 1
2	Cathode E Dig. 1	8	Cathode C Dig. 2	14	Cathode F Dig. 1
3	Cathode D Dig. 1	9	Cathode G Dig. 2	15	Cathode A Dig. 1
4	Anode Dig.1	10	Cathode A Dig. 2	16	Cathode G Dig. 1
5	Anode Dig.2	11	Cathode F Dig. 2		
6	Cathode D Dig. 2	12	Cathode B Dig. 2		

ABSOLUTE MAXIMUM RATING AT $T_A=25^{\circ}\text{C}$

PARAMETER	SYMBOL	MAXIMUM	UNIT
Power Dissipation per Seg.	P_{AD}	60	mW
Peak Forward Current per Seg. (1/10 Duty Cycle, 0.1ms Pules Width)	I_{PF}	80	mA
Continuous Forward Current per Seg.	I_{AF}	20	mA
Reverse Voltage per Seg.	V_R	5	V
Operating Temperature Range, T_{opr}	- 25° C to + 85° C		
Storage Temperature Range, T_{stg}	- 30° C to + 90° C		
Solder Temperature : 1 / 16 inch below seating plane for 3 seconds at 260° C			

ELECTRO - OPTICAL CHARACTERISTICS AT $T_A=25^{\circ}\text{C}$

PARAMETER	UNIT	MIN	TYPE	MAX
Luminous Intensity per Seg., I_V ($I_F=20\text{mA}$)	mcd	7	13	15
Peak Emission Wavelength, λ_p ($I_F=20\text{mA}$)	nm		645	
Special Line Half-Width, $\Delta\lambda$ ($I_F=20\text{mA}$)	nm		30	
Forward Voltage per Seg., V_F ($I_F=20\text{mA}$)	V	1.8	2.15	2.50
Reverse Current per Seg., I_R , ($V_R=5\text{V}$)	μA			100
Luminous Intensity Matching Ratio, I_{V-m} ($I_F=20\text{mA}$)				2 : 1