

# SPECIFICATION FORM

## FEATURES

- ✧ 0.40INCHES (10.20MM) DIGIT HEIGHT
- ✧ 20.10MM×16.0MM OUTLINE
- ✧ DUAL DIGIT
- ✧ SINGLE COLOR
- ✧ EASY ASSEMBLY
- ✧ HIGH BRIGHTNESS
- ✧ SOLID STATE RELIABILITY

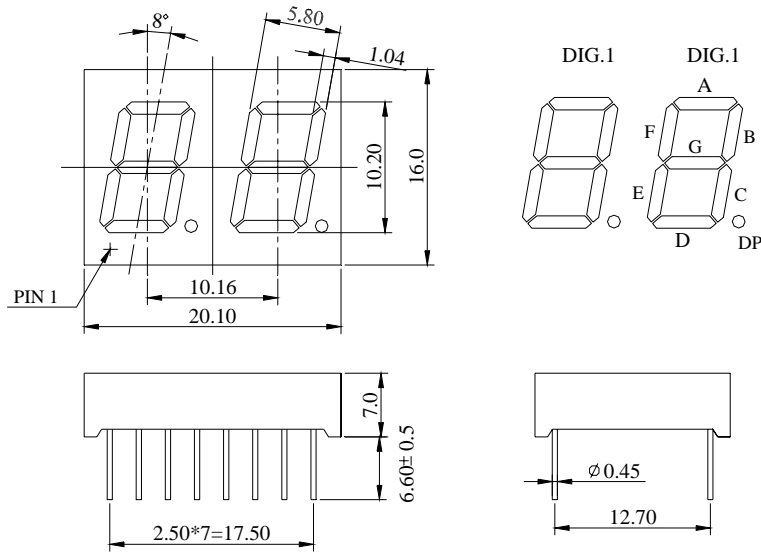
## DESCRIPTION

The S4201CG is a 0.40 inches(10.20mm) digit height, 20.10mm×16.0mm outline, single color, dual digit & common cathode numeric display. This display utilizes green LED chips fabricated from GaP epiwafer on GaP substrate grown by liquid phase epitaxy. These devices have black face and white segments.

## DEVICE

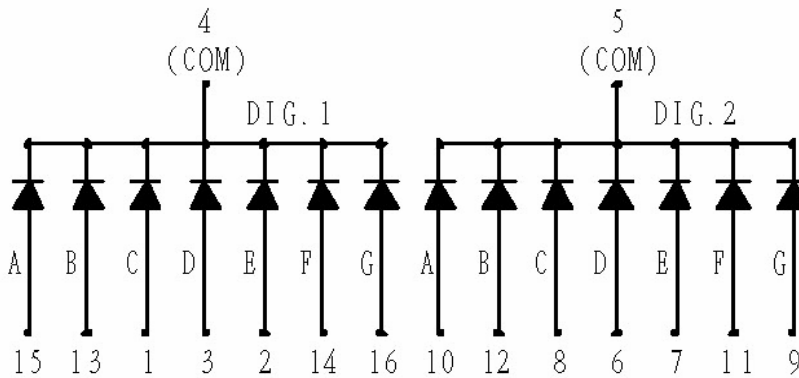
PART NO.	EMITTING COLOR	DESCRIPTION
S4201CG	Super-red	Black Face & White Segments

## PACKAGE DIMENSION



Note: Tolerance is  $\pm 0.25\text{mm}$  unless otherwise noted.

## INTERNAL CIRCUIT DIAGRAM



## PIN CONNECTION

PIN NO.	CONNECTION	PIN NO.	CONNECTION	PIN NO.	CONNECTION
1	Anode C Dig. 1	7	Anode E Dig. 2	13	Anode B Dig. 1
2	Anode E Dig. 1	8	Anode C Dig. 2	14	Anode F Dig. 1
3	Anode D Dig. 1	9	Anode G Dig. 2	15	Anode A Dig. 1
4	Cathode Dig.1	10	Anode A Dig. 2	16	Anode G Dig. 1
5	Cathode Dig.2	11	Anode F Dig. 2		
6	Anode D Dig. 2	12	Anode B Dig. 2		

**ABSOLUTE MAXIMUM RATING AT  $T_A=25^{\circ}\text{C}$**

PARAMETER	SYMBOL	MAXIMUM	UNIT
Power Dissipation per Seg.	$P_{AD}$	75	mW
Peak Forward Current per Seg. (1/10 Duty Cycle, 0.1ms Pules Width)	$I_{PF}$	80	mA
Continuous Forward Current per Seg.	$I_{AF}$	20	mA
Reverse Voltage per Seg.	$V_R$	5	V
Operating Temperature Range, $T_{opr}$	- 25° C to + 85° C		
Storage Temperature Range, $T_{stg}$	- 30° C to + 90° C		
Solder Temperature : 1 / 16 inch below seating plane for 3 seconds at 260° C			

**ELECTRO - OPTICAL CHARACTERISTICS AT  $T_A=25^{\circ}\text{C}$**

PARAMETER	UNIT	MIN	TYPE	MAX
Luminous Intensity per Seg., $I_V$ ( $I_F=20\text{mA}$ )	mcd	11	13	15
Peak Emission Wavelength, $\lambda_p$ ( $I_F=20\text{mA}$ )	nm		570	
Special Line Half-Width, $\Delta\lambda$ ( $I_F=20\text{mA}$ )	nm		30	
Forward Voltage per Seg., $V_F$ ( $I_F=20\text{mA}$ )	V	1.8	2.15	2.50
Reverse Current per Seg., $I_R$ , ( $V_R=5\text{V}$ )	$\mu\text{A}$			100
Luminous Intensity Matching Ratio, $I_{V-m}$ ( $I_F=20\text{mA}$ )				2 : 1