

Rayconn ELECTRONICS CO., LTD.

SPECIFICATION FORM

FEATURES

- ✧ 0.56 INCHES (14.20MM) DIGIT HEIGHT
- ✧ 12.60MM×19.0MM OUTLINE
- ✧ SINGLE DIGIT
- ✧ SINGLE COLOR
- ✧ EASY ASSEMBLY
- ✧ HIGH BRIGHTNESS
- ✧ SOLID STATE RELIABILITY

DESCRIPTION

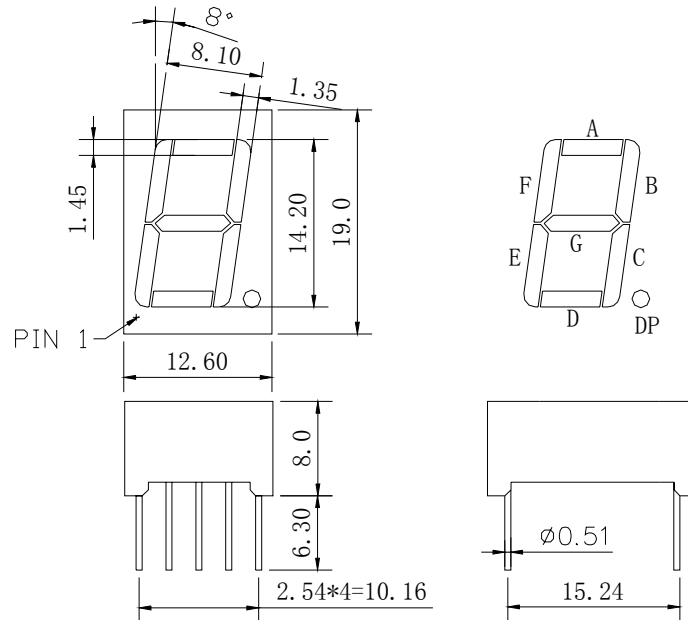
The REC-S5161CG is a 0.56 inches (14.20mm) digit height, 12.60mm×19.0mm outline, single color, single digit, common Cathode numeric display. This display utilizes yellow-green LED chips fabricated from GaP epiwafer on GaP substrate grown by liquid phase epitaxy. These devices have black surface and white segments.

DEVICE

PART NO.	EMITTING COLOR	DESCRIPTION
REC-S5161CG	Super-Red	Black Face & White Segments

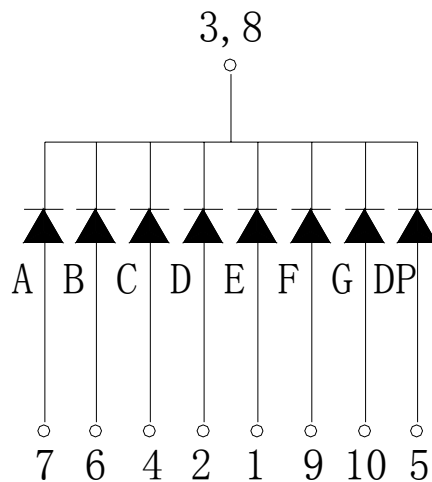
Rayconn ELECTRONICS CO., LTD.

PACKAGE DIMENSION



- Notes: 1. All Dimensions are in millimeters.
2. Tolerance is ± 0.25 mm unless otherwise specified.

INTERNAL CIRCUIT DIAGRAM



Rayconn ELECTRONICS CO., LTD.

PIN CONNECTION

PIN NO.	CONNECTION	PIN NO.	CONNECTION
1	Anode E	6	Anode B
2	Anode D	7	Anode A
3	Cathode	8	Cathode
4	Anode C	9	Anode F
5	Anode DP	10	Anode G

ABSOLUTE MAXIMUM RATING AT $T_A=25^\circ\text{C}$

PARAMETER	SYMBOL	MAXIMUM	UNIT
Power Dissipation per Seg.	P_{AD}	75	mW
Peak Forward Current per Seg.	I_{PF}	80	mA
Continuous Forward Current per Seg.	I_{AF}	20	mA
Reverse Voltage per Seg.	V_R	5	V
Operating Temperature Range, T_{opr}		- 25° C to + 60° C	
Storage Temperature Range, T_{stg}		- 30° C to + 85° C	
Solder Temperature : 1 / 16 inch below seating plane for 3 seconds at 260° C			

ELECTRO - OPTICAL CHARACTERISTICS AT $T_A=25^\circ\text{C}$

PARAMETER	UNIT	MIN	TYPE	MAX
Luminous Intensity per Seg., I_V ($I_F=20\text{mA}$)	mcd		10	
Peak Emission Wavelength, λ_P ($I_F=20\text{mA}$)	nm		570	
Special Line Half-Width, $\Delta\lambda$ ($I_F=20\text{mA}$)	nm		20	
Forward Voltage per Seg., V_F ($I_F=20\text{mA}$)	V	2.0	2.1	2.3
Reverse Current per Seg., I_R , ($V_R=5\text{V}$)	μA			100
Luminous Intensity Matching Ratio, I_{V-m} ($I_F=20\text{mA}$)				1.5:1