

# RAYCONN ELECTRONICS CO., LTD.

## SPECIFICATION FORM

### FEATURES

- ✧ 0.56 INCHES (14.20MM) DIGIT HEIGHT
- ✧ 25.00MM×19.0MM OUTLINE
- ✧ DUAL DIGIT
- ✧ SINGLE COLOR
- ✧ EASY ASSEMBLY
- ✧ HIGH BRIGHTNESS
- ✧ SOLID STATE RELIABILITY

### DESCRIPTION

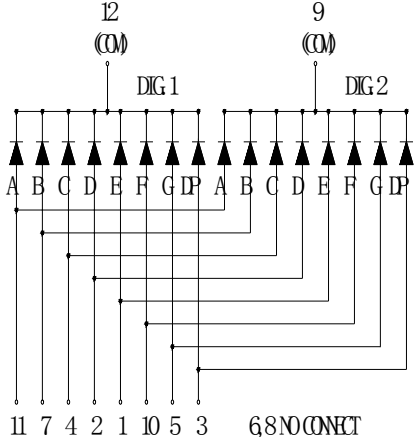
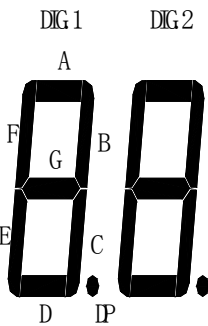
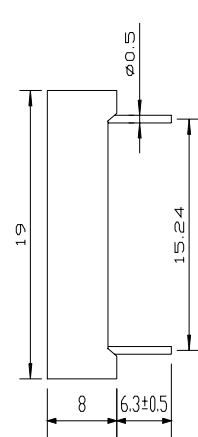
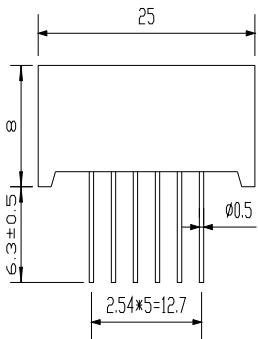
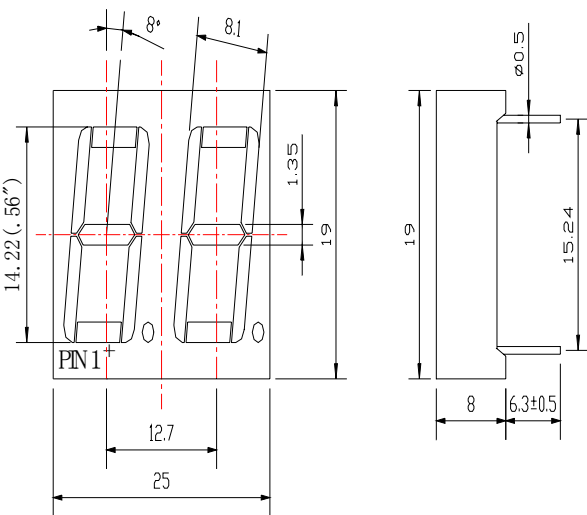
The REC-S5261ASR/CSR-3 is a 0.56 inches (14.20mm) digit height, 12.6mm×19.0mm outline, single color, dual digit numeric display. This display utilizes super-red LED chips fabricated from DH GaAlAs epiwafer on GaAs substrate grown by liquid phase epitaxy. These devices have black face and white segments.

### DEVICE

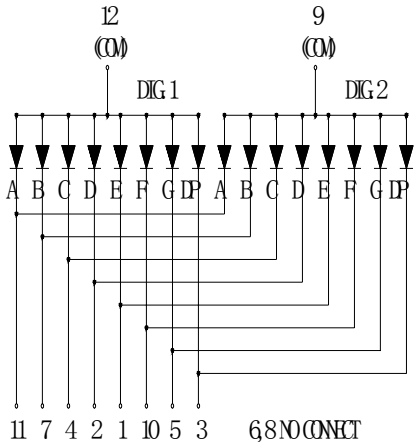
PART NO.	EMITTING COLOR	DESCRIPTION
REC-S5261ASR/CSR-3	Super-Red	black Face with White Segments

# RAYCONN ELECTRONICS CO., LTD.

## PACKAGE DIMENSION



- 1.ANDE E
- 2.ANDE D
- 3.ANDE IP
- 4.ANDE C
- 5.ANDE G
- 6.NO CONECT
- 7.ANDE B
- 8.NO CONECT
- 9.COMON CATHDE DIG 2
- 10.ANDE F
- 11.ANDE A
- 12.COMON CATHDE DIG 1



- 1.CATHDE E
- 2.CATHDE D
- 3.CATHDE IP
- 4.CATHDE C
- 5.CATHDE G
- 6.NO CONECT
- 7.CATHDE B
- 8.NO CONECT
- 9.COMON ANDE DIG 2
- 10.CATHDE F
- 11.CATHDE A
- 12.COMON ANDE DIG 1

### ABSOLUTE MAXIMUM RATING AT T<sub>A</sub>=25° C

PARAMETER	SYMBOL	MAXIMUM	UNIT
Power Dissipation per Seg.	P <sub>AD</sub>	60	mW
Peak Forward Current per Seg.	I <sub>PF</sub>	80	mA
Continuous Forward Current per Seg.	I <sub>AF</sub>	20	mA
Reverse Voltage per Seg.	V <sub>R</sub>	5	V
Operating Temperature Range, T <sub>opr</sub>		- 25° C to + 60° C	
Storage Temperature Range, T <sub>stg</sub>		- 30° C to + 85° C	
Solder Temperature : 1 / 16 inch below seating plane for 3 seconds at 260° C			

# RAYCONN ELECTRONICS CO., LTD.

## ELECTRO - OPTICAL CHARACTERISTICS AT $T_A=25^\circ\text{C}$

PARAMETER	UNIT	MIN	TYPE	MAX
Luminous Intensity per Seg., $I_V$ ( $I_F=20\text{mA}$ )	mcd	10	13	17
Peak Emission Wavelength, $\lambda_p$ ( $I_F=20\text{mA}$ )	nm		640	
Special Line Half-Width, $\Delta\lambda$ ( $I_F=20\text{mA}$ )	nm		30	
Forward Voltage per Seg., $V_F$ ( $I_F=20\text{mA}$ )	V	1.6	1.80	2.0
Reverse Current per chipSeg., $I_R$ , ( $V_R=5\text{V}$ )	$\mu\text{A}$			100
Luminous Intensity Matching Ratio, $I_{V-m}$ ( $I_F=20\text{mA}$ )				2 : 1