

RAYCONN ELECTRONICS CO., LTD.

SPECIFICATION FORM

FEATURES

- ✧ 0.56 INCHES (14.20MM) DIGIT HEIGHT
- ✧ 37.60MM×19.00MM OUTLINE
- ✧ THREE DIGIT
- ✧ MONO COLOR
- ✧ EASY ASSEMBLY
- ✧ HIGH BRIGHTNESS
- ✧ SOLID STATE RELIABILITY

DESCRIPTION

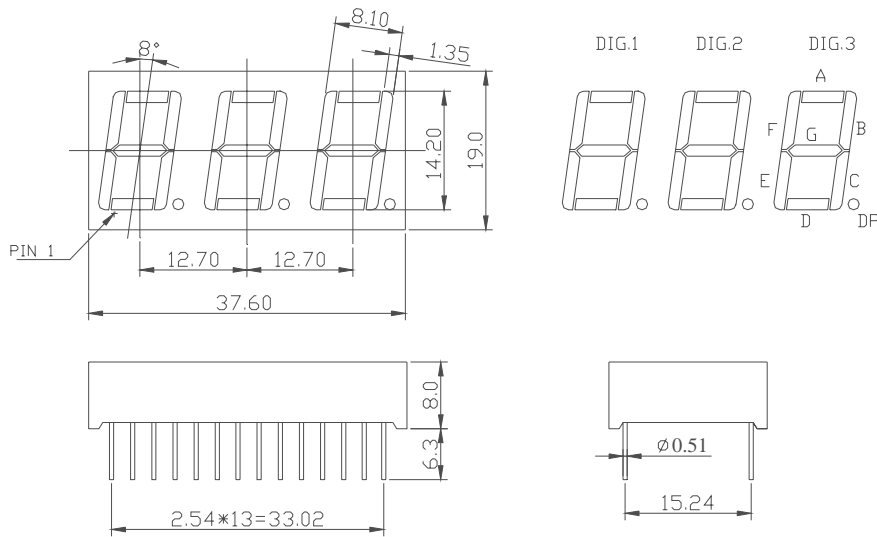
The REC-S5361CSR-3 is a 0.56 inches (14.20mm) digit height, 37.60mm×19.0mm outline, single color, three digit numeric display. This display utilizes high-red LED chips fabricated from GaAlAs epiwafer on GaAs substrate grown by liquid phase epitaxy. These devices have black face and white segments.

DEVICE

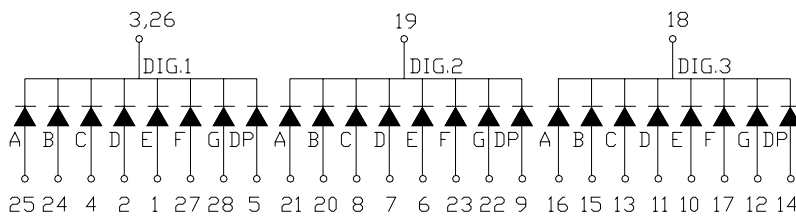
PART NO.	EMITTING COLOR	DESCRIPTION
REC-S5361CSR-3	High-Red	Common Cathode

RAYCONN ELECTRONICS CO., LTD.

PACKAGE DIMENSION



INTERNAL CIRCUIT DIAGRAM



RAYCONN ELECTRONICS CO., LTD.

PIN CONNECTION

PIN NO.	CONNECTION	PIN NO.	CONNECTION	PIN NO.	CONNECTION
1	Anode E Dig.1	11	Anode D Dig.3	21	Anode A Dig.2
2	Anode D Dig.1	12	Anode G Dig.3	22	Anode G Dig.2
3	Cathode Dig.1	13	Anode C Dig.3	23	Anode F Dig.2
4	Anode C Dig.1	14	Anode DP Dig.3	24	Anode B Dig.1
5	Anode DP Dig.1	15	Anode B Dig.3	25	Anode A Dig.1
6	Anode E Dig.2	16	Anode A Dig.3	26	Cathode Dig.1
7	Anode D Dig.2	17	Anode F Dig.3	27	Anode F Dig.1
8	Anode C Dig.2	18	Cathode Dig.3	28	Anode G Dig.1
9	Anode DP Dig.2	19	Cathode Dig.2		
10	Anode E Dig.3	20	Anode B Dig.2		

ABSOLUTE MAXIMUM RATING AT T_A=25° C

PARAMETER	SYMBOL	MAXIMUM	UNIT
Power Dissipation per Seg.	P _{AD}	60	mW
Peak Forward Current per Seg.	I _{PF}	80	mA
Continuous Forward Current per Seg.	I _{AF}	20	mA
Reverse Voltage per Seg.	V _R	5	V
Operating Temperature Range, T _{opr}		- 25° C to + 60° C	
Storage Temperature Range, T _{stg}		- 30° C to + 85° C	
Solder Temperature : 1 / 16 inch below seating plane for 3 seconds at 260° C			

ELECTRO – OPTICAL CHARACTERISTICS AT T_A=25° C

PARAMETER	UNIT	MIN	TYPE	MAX
Luminous Intensity per Seg., I _V (I _F =20mA)	mcd	7	10	12
Peak Emission Wavelength, λ _p (I _F =20mA)	nm		640	
Special Line Half-Width, Δλ (I _F =20mA)	nm		20	
Forward Voltage per Seg., V _F (I _F =20mA)	V	1.6	1.80	2.1
Reverse Current per chipSeg., I _R , (V _R =5V)	μA			100
Luminous Intensity Matching Ratio, I _{v-m} (I _F =20mA)				2:1