

RAYCONN ELECTRONICS CO., LTD.

SPECIFICATION FORM

FEATURES

- ✧ 0.56 INCHES (14.20MM) DIGIT HEIGHT
- ✧ 50.30MM×19.0MM OUTLINE
- ✧ FOUR DIGIT
- ✧ SINGLE COLOR
- ✧ EASY ASSEMBLY
- ✧ HIGH BRIGHTNESS
- ✧ SOLID STATE RELIABILITY

DESCRIPTION

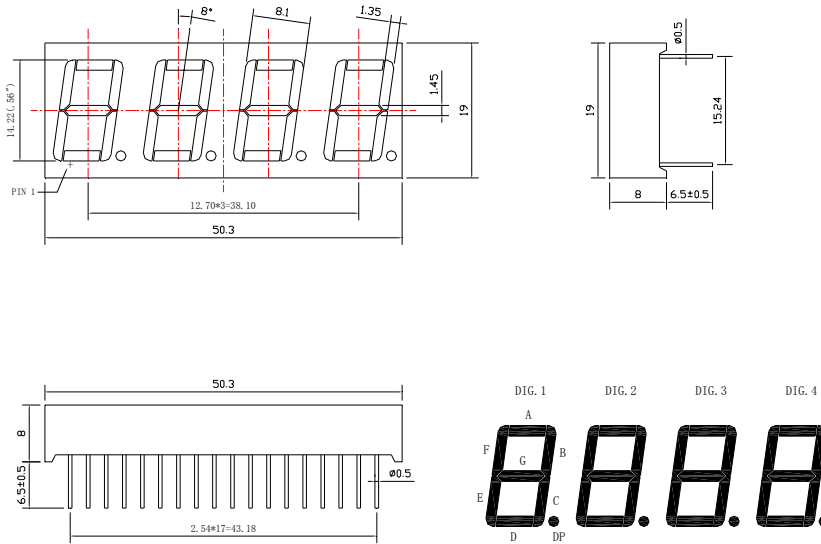
The REC-S5461AG-2 is a 0.56 inches(14.20mm) digit height, 50.30mm×19.0mm outline, single color, four digit and common anode numeric display. This display utilizes green LED chips fabricated from GaP epiwafer on GaP substrate grown by liquid phase epitaxy.. These devices have black face and white segments.

DEVICE

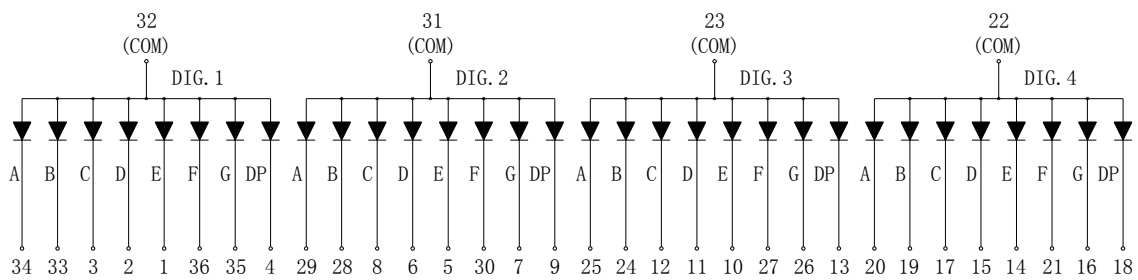
PART NO.	EMITTING COLOR	DESCRIPTION
REC-S5461AG-2	Yellow-Green	Black Face & White Segments

RAYCONN ELECTRONICS CO., LTD.

PACKAGE DIMENSION



INTERNAL CIRCUIT DIAGRAM



RAYCONN ELECTRONICS CO., LTD.

PIN CONNECTION

PIN NO.	CONNECTION	PIN NO.	CONNECTION
1、 5、 10、 14	Cathode E	33、 28、 24、 19	Cathode B
2、 6、 11、 15	Cathode D	36、 30、 27、 21	Cathode F
3、 8、 12、 17	Cathode C	32	Common Anode Dig.1
4、 9、 13、 18	Cathode DP	31	Common Anode Dig.2
35、 7、 26、 16	Cathode G	23	Common Anode Dig.3
34、 29、 25、 20	Cathode A	22	Common Anode Dig.4

ABSOLUTE MAXIMUM RATING AT T_A=25° C

PARAMETER	SYMBOL	MAXIMUM	UNIT
Power Dissipation per Seg.	P _{AD}	75	mW
Peak Forward Current per Seg.	I _{PF}	80	mA
Continuous Forward Current per Seg.	I _{AF}	20	mA
Reverse Voltage per Seg.	V _R	5	V
Operating Temperature Range, T _{opr}		- 25° C to + 60° C	
Storage Temperature Range, T _{stg}		- 30° C to + 85° C	
Solder Temperature : 1 / 16 inch below seating plane for 3 seconds at 260° C			

ELECTRO – OPTICAL CHARACTERISTICS AT T_A=25° C

PARAMETER	UNIT	MIN	TYPE	MAX
Luminous Intensity per Seg., I _V (I _F =20mA)	mcd	7	10	14
Peak Emission Wavelength, λ _p (I _F =20mA)	nm		570	
Special Line Half-Width, Δλ (I _F =20mA)	nm		20	
Forward Voltage per Seg., V _F (I _F =20mA)	V	1.6	1.8	2.1
Reverse Current per chipSeg., I _R , (V _R =5V)	μA			100