

**SPECIFICATION FORM****FEATURES**

- ✧ 0.80INCHES (20.30MM) DIGIT HEIGHT
- ✧ 35.80MM×25.80MM OUTLINE
- ✧ DUAL DIGIT
- ✧ SINGLE COLOR
- ✧ EASY ASSEMBLY
- ✧ HIGH BRIGHTNESS
- ✧ SOLID STATE RELIABILITY

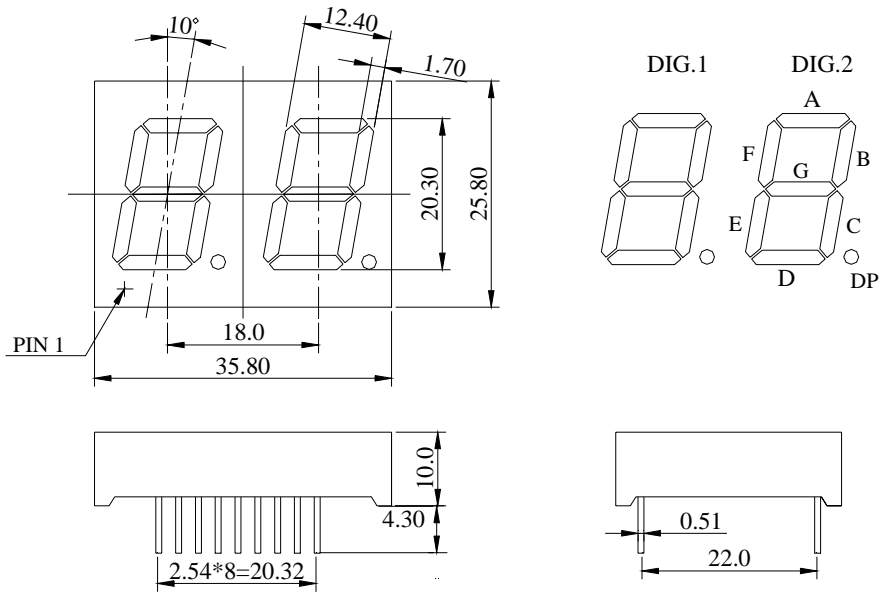
**DESCRIPTION**

The REC-S8201CSR is a 0.8 inches(20.30mm) digit height, 35.80mm×25.80mm outline, single color, dual digit & common cathode numeric display. This display utilizes super-red LED chips fabricated from GaAlAs epiwafer on GaAs substrate grown by liquid phase epitaxy. These devices have black face and white segments.

**DEVICE**

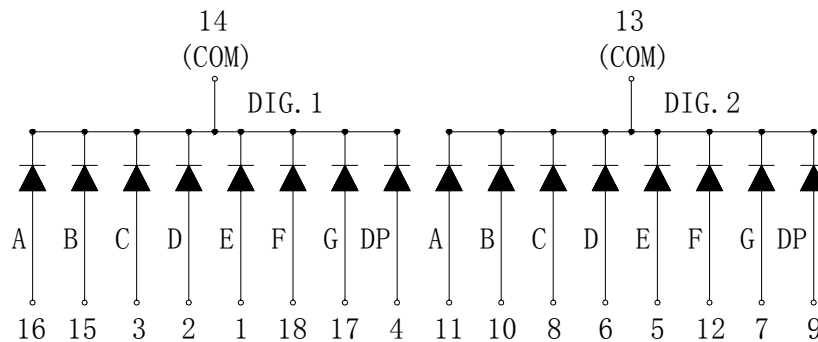
<b>PART NO.</b>	<b>EMITTING COLOR</b>	<b>DESCRIPTION</b>
SBS8201CSR	Super-Red	Black Face & White Segments

**PACKAGE DIMENSION**



Note: Tolerance is  $\pm 0.25\text{mm}$  unless otherwise noted.

**INTERNAL CIRCUIT DIAGRAM**



**PIN CONNECTION**

PIN NO.	CONNECTION	PIN NO.	CONNECTION	PIN NO.	CONNECTION
1	Anode E Dig. 1	7	Anode G Dig. 2	13	Cathode Dig.2
2	Anode D Dig. 1	8	Anode C Dig. 2	14	Cathode Dig.1
3	Anode C Dig. 1	9	Anode DP Dig. 2	15	Anode B Dig. 1
4	Anode DP Dig. 1	10	Anode B Dig. 2	16	Anode A Dig. 1
5	Anode E Dig. 2	11	Anode A Dig. 2	17	Anode G Dig. 1
6	Anode D Dig. 2	12	Anode F Dig. 2	18	Anode F Dig. 1

**ABSOLUTE MAXIMUM RATING AT  $T_A=25^{\circ}\text{C}$** 

PARAMETER	SYMBOL	MAXIMUM	UNIT
Power Dissipation per Seg.	$P_{AD}$	75	mW
Peak Forward Current per Seg. (1/10 Duty Cycle, 0.1ms Pules Width)	$I_{PF}$	60	mA
Continuous Forward Current per Seg.	$I_{AF}$	20	mA
Reverse Voltage per Seg.	$V_R$	5	V
Operating Temperature Range, $T_{opr}$	- 25° C to + 85° C		
Storage Temperature Range, $T_{stg}$	- 30° C to + 90° C		
Solder Temperature : 1 / 16 inch below seating plane for 3 seconds at 260° C			

**ELECTRO - OPTICAL CHARACTERISTICS AT  $T_A=25^{\circ}\text{C}$** 

PARAMETER	UNIT	MIN	TYPE	MAX
Luminous Intensity per Seg., $I_V$ ( $I_F=20\text{mA}$ )	mW		12	13
Peak Emission Wavelength, $\lambda_p$ ( $I_F=20\text{mA}$ )	nm		640	
Special Line Half-Width, $\Delta\lambda$ ( $I_F=20\text{mA}$ )	nm		20	
Forward Voltage per Seg., $V_F$ ( $I_F=20\text{mA}$ )	V	1.8	1.9	2.0
Reverse Current per Seg., $I_R$ , ( $V_R=5\text{V}$ )	$\mu\text{A}$			100
Luminous Intensity Matching Ratio, $I_{V-m}$ ( $I_F=20\text{mA}$ )				2 : 1